



# SKYRISE SUPPLIES

USA

## Product Catalog 2019

 [info@skyrisesuppliesusa.com](mailto:info@skyrisesuppliesusa.com)

 718-653-1000





# SKYRISE SUPPLIES

USA

Skyrise Supplies USA has offered Complete range of construction equipment to our strategic clients around the world, matching our expertise to the specific needs of our customers. With our extensive experience in the industrial market, we specialize Manufacturing/custom design and distribution of construction, Equipment. Our experienced customer-driven team provides a seamless, service from product, development production, quality control, delivery and local engineering support for fast, effective solutions where ever required. Where applicable, our products are finished and protected by zinc galvanizing. This method of finishing maximizes the finishing maximizes the utilization and extends the product life. Skyrise Supplies USA products are engineered with versatility and usability in mind. Our modified product designs increase efficiency and productivity, saving your projects time and money.

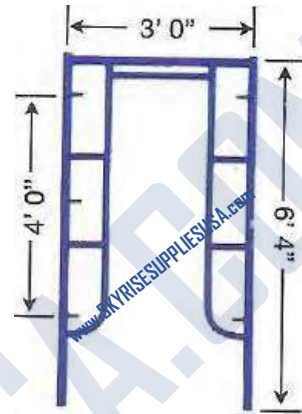
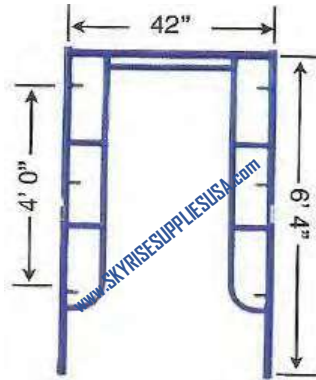
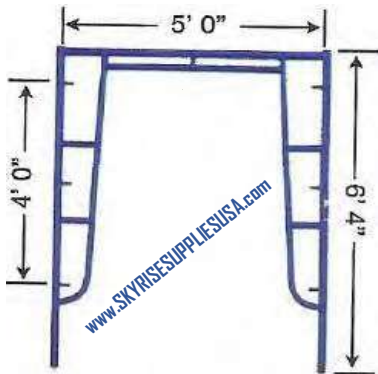
## Contact

Ph: (718)-653-1000

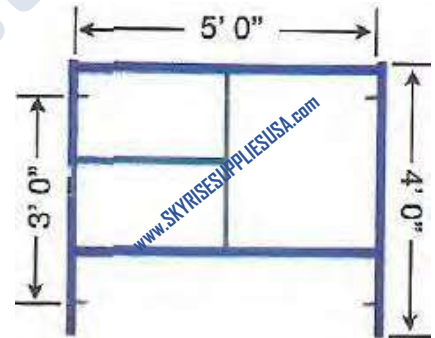
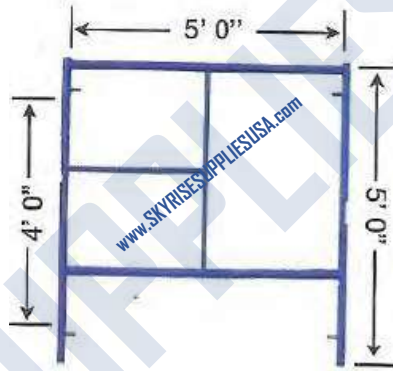
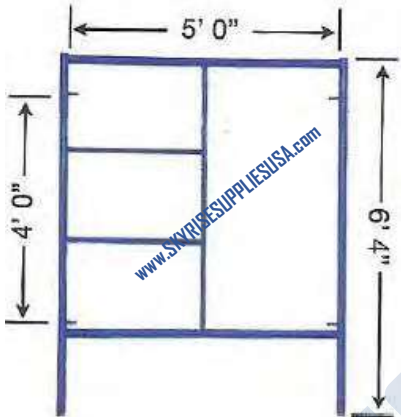
# SCAFFOLD CATEGORY

- Scaffold Walk-Through Frames
- Scaffold Frames
- Ladder Frames
- Scaffold cross braces
- Scaffold side arm brackets
- Scaffold accessories (Coupling pins & accessories)
- Screw jacks and base plates
- Ladders, Staircases
- Guard rails Planks
- Clamps & connectors

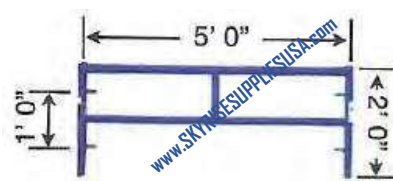
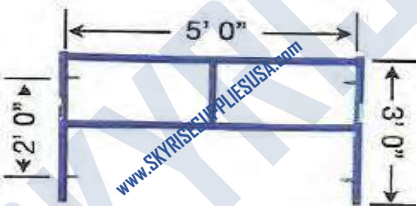
## Scaffolding Frames



5'W x 6'4\"T	42\"W x 6'4\"T	3'W x 6'4\"T
Walk-Thru Frame	Walk-Thru Frame	Walk-Thru Frame
SSU PART #1001	SSU PART #1002	SSU PART #1003
Weight: 46.0 lbs	Weight: 42.0 lbs	Weight: 39.0 lbs



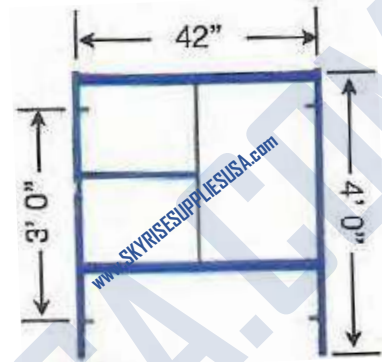
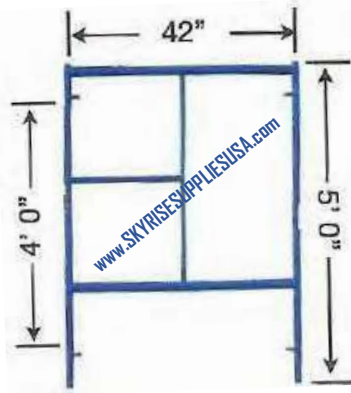
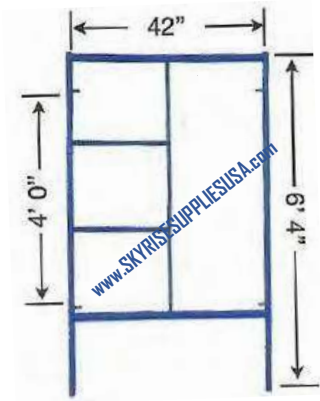
5'W x 6'4\"T	5'W x 5'0\"T	5'W x 4'0\"T
Mason Frame	Mason Frame	Mason Frame
SSU PART #1004	SSU PART #1005	SSU PART #1006
Weight: 46.0 lbs	Weight: 39.0 lbs	Weight: 36.0 lbs



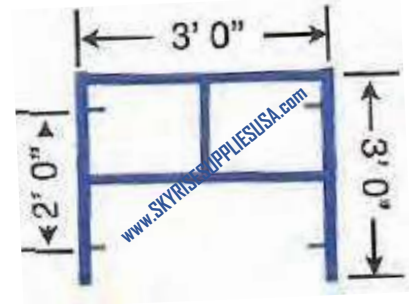
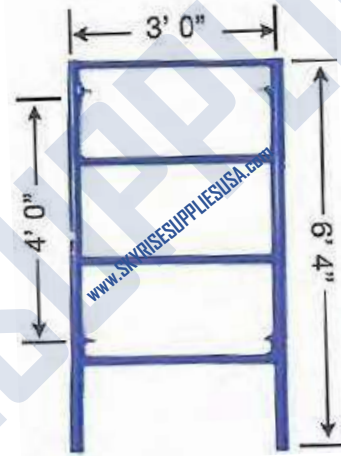
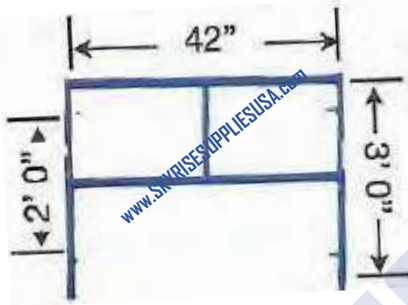
5'W x 3'0\"T	5'W x 2'0\"T	Frame lock
Mason Frame	Mason Frame	
SSU PART #1007	SSU PART #1008	SSU PART #1009
Weight: 26.0 lbs	Weight: 22.0 lbs	Weight: 5.0 lbs

Frame Leg	Top Lock	Lock Style	Coupling Pin Hole
1.69\" (1-11/16\")	8.5\" (6\" on 2'T & 3'T Frames)	Drop Lock	45°

## Scaffolding Frames



42"W x 6' 4"T	42"W x 5'T	42"W x 4'T
Mason Frame	Mason Frame	Mason Frame
SSUPART #1010	SSU PART #1011	SSUPART #1012
Weight: 44.0 lbs	Weight: 37.0 lbs	Weight: 32.0 lbs



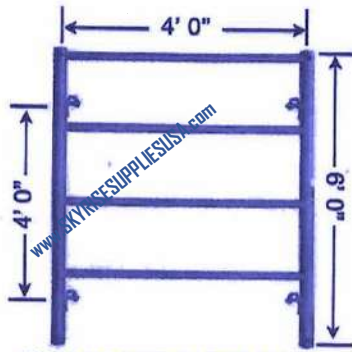
42"W x 3'T	3'W x 6' 4"T	3'W x 3'T
Mason Frame	Ladder Frame	Ladder Frame
SSUPART #1013	SSU PART #1014	SSU PART#1015
Weight: 27.0 lbs	Weight: 36.0 lbs	Weight: 24.0 lbs

Frame Leg	Top	Lock Style	Coupling Pin
1.69" (1 - 11/16")	8.5" (6" on 2'T & 3'T)	Drop Lock	45°

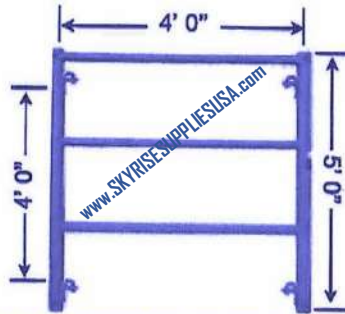
# SHORING CATEGORY

- Shoring Walk-Through Frames Shoring
- Mason Frames
- Shoring Post Shore
- Shoring cross braces
- Shoring U Heads
- Shoring accessories, (Coupling pins & accessories)
- Screw Jacks and base plates
- Clamps & connectors pages

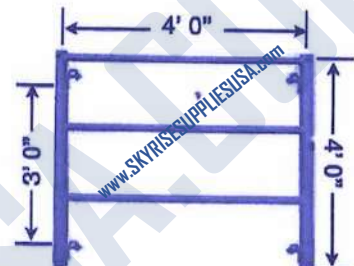
## Shoring frames



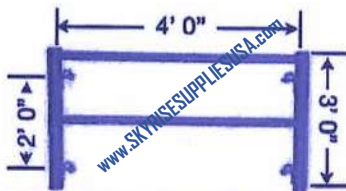
**4'W X 6'T SHORING FRAME**  
SSUPART #3000  
Weight: 67.0lbs.



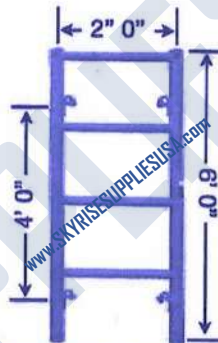
**4'W X 5'T SHORING FRAME**  
SSUPART #3001  
Weight: 53.0lbs.



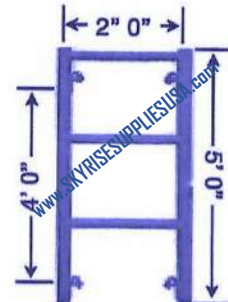
**4'W X 4'T SHORING FRAME**  
SSUPART #3002  
Weight: 47.0lbs.



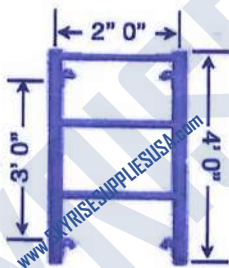
**4'W X 3'T SHORING FRAME**  
SSUPART #3003  
Weight: 35.0lbs.



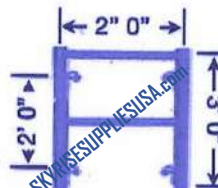
**2'W X 6'T SHORING FRAME**  
SSUPART #3004  
Weight: 58.0lbs.



**2'W X 5'T SHORING FRAME**  
SSUPART #3005  
Weight: 45.0lbs.



**2'W X 4'T SHORING FRAME**  
SSUPART #3006  
Weight: 37.0lbs.



**2'W X 3'T SHORING FRAME**  
SSUPART #3007  
Weight: 25.0lbs.



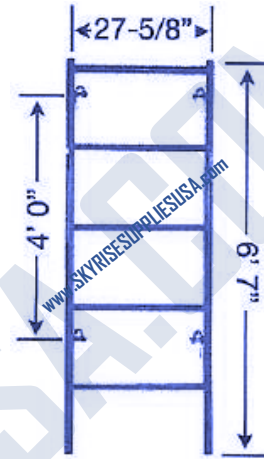
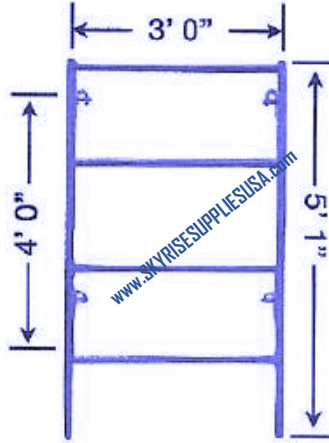
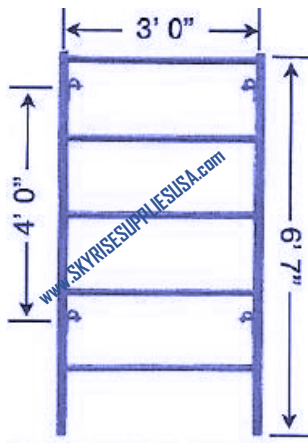
**FAST LOCK**  
SSUPART #3008



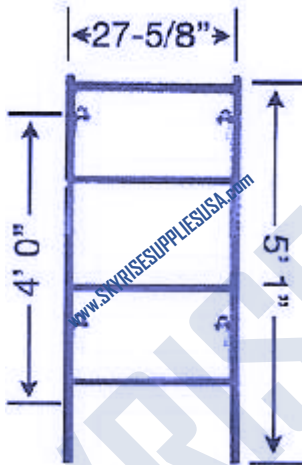
**FRAME FLIP LOCK**  
SSUPART #3009

FRAME LEG	TOP LOCK	LOCK STYLE	COUPLING PIN HOLE
2.375" (2-3/8")	7" (13" on 6'T Frames)	Fast Lock	90 Degrees

## Shoring - Narrow frames



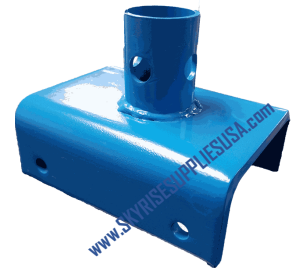
3'W x 6'7\"T	3'W x 5'1\"T	27-5/8\" W x 6'7\"T
Narrow Shoring Frame	Narrow Shoring Frame	Ladder Frame
SSUPART #3010	SSU PART #3011	SSU PART #3012
Weight: 42.0 lbs	Weight: 32.0 lbs	Weight: 37.0 lbs



27-5/8\" W x 5'1\"T  
Ladder Frame  
SSU PART #3013  
Weight: 29.0 lbs



**ALUMINUM BEAMS  
&  
ALUMINUM STRINGERS**  
\*Custom sizes available  
(4' - 28')  
**CALL FOR DETAILS!**



**SHORING U HEAD**  
4x8 SSU PART #3021  
5x8 SSU PART #3022  
8x8 SSU PART #3023

Frame Leg	Top Lock	Lock Style	Coupling Pin Hole
1.625\" (1-5/8\")	7\"	Fast Lock	90°



# SKYRISE SUPPLIES USA

## Post Shore / Steel Prop



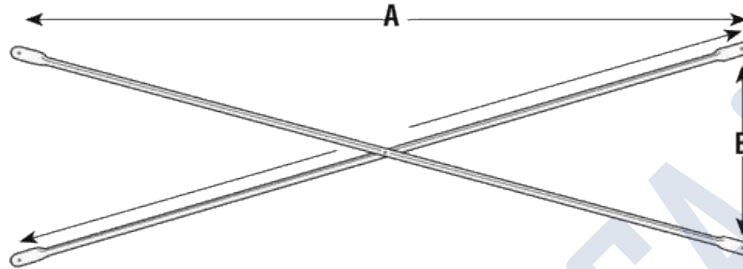
SSUPART #	DESCRIPTION	Weight (Lbs)
#3014	5' to 12' Post Shore	22.0
#3015	6' to 12' Post Shore	30.9
#3016	6' to 13' Post Shore	34.2
#3017	8' to 16' Post Shore	39.7
#3018	9' to 16' Post Shore	44.5



G Pin  
FSL PART  
#3019

## Cross Braces - Angle Iron

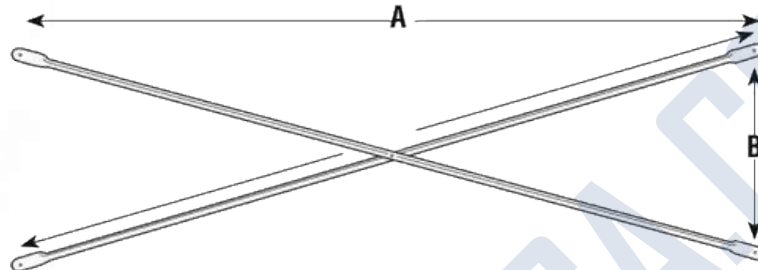
A = Frame Spacing  
B = Lock Spacing



SSU PART #	DESCRIPTION	A (FRAME SPACING)	B (LOCK SPACING)	WT. LB
#1114	5' x 1' Angle Iron Cross Brace	5'	1'	9.5
#1115	7' x 1' Angle Iron Cross Brace	7'	1'	12.5
#1116	8' x 1' Angle Iron Cross Brace	8'	1'	14.5
#1117	10' x 1' Angle Iron Cross Brace	10'	1'	17.5
#1118	4' x 2' Angle Iron Cross Brace	4'	2'	9.5
#1119	5' x 2' Angle Iron Cross Brace	5'	2'	11.0
#1120	6' x 2' Angle Iron Cross Brace	6'	2'	12.75
#1121	7' x 2' Angle Iron Cross Brace	7'	2'	14.25
#1122	8' x 2' Angle Iron Cross Brace	8'	2'	15.75
#1123	10' x 2' Angle Iron Cross Brace	10'	2'	19.0
#1124	10' x 4' Angle Iron Cross Brace	10'	4'	22.0
#1125	4' x 3/4' Angle Iron Cross Brace	4'	3' or 4'	11.0
#1126	5' x 3/4' Angle Iron Cross Brace	5'	3' or 4'	13.0
#1127	6' x 3/4' Angle Iron Cross Brace	6'	3' or 4'	15.0
#1128	7' x 3/4' Angle Iron Cross Brace	7'	3' or 4'	17.0
#1129	8' x 3/4' Angle Iron Cross Brace	8'	3' or 4'	18.5
#1130	10' x 3/4' Angle Iron Cross Brace	10'	3' or 4'	22.0

## Cross Braces - Tubular

A = Frame Spacing  
B = Lock Spacing



SSU PART #	DESCRIPTION	A (FRAME SPACING)	B (LOCK SPACING)	WT. LB
#1096	4' x 4' Tube Cross Brace	4'	4'	9.5
#1097	5' x 4' Tube Cross Brace	5'	4'	10.0
#1098	6' x 4' Tube Cross Brace	6'	4'	11.0
#1099	7' x 1' Tube Cross Brace	7'	1'	11.0
#1100	7' x 2' Tube Cross Brace	7'	2'	11.25
#1101	7' x 3' Tube Cross Brace	7'	3'	11.3
#1102	7' x 3' Tube Cross Brace	7'	4'	11.5
#1103	7' x 3'/4' Tube Cross Brace	7'	3' or 4'	11.5
#1104	7' x 27.75" Tube Cross Brace	7'	27.25"	11.3
#1105	8' x 1' Tube Cross Brace	8'	1'	12.0
#1106	8' x 2' Tube Cross Brace	8'	2'	12.5
#1107	8' x 3' Tube Cross Brace	8'	3'	13.0
#1108	8' x 4' Tube Cross Brace	8'	4'	13.5
#1109	10' x 1' Tube Cross Brace	10'	1'	14.5
#1110	10' x 2' Tube Cross Brace	10'	2'	14.75
#1111	10' x 3' Tube Cross Brace	10'	3'	15.25
#1112	10' x 4' Tube Cross Brace	10'	4'	15.75
#1113	10' x 27.75" Tube Cross Brace	10'	27.75"	15.25

# SKYRISE SUPPLIES USA

## Coupling Pins



www.SKYRISESUPPLIESUSA.com



www.SKYRISESUPPLIESUSA.com



www.SKYRISESUPPLIESUSA.com

<b>9" Coupling Pin with 1" Collar (#7)</b>	<b>9" Coupling Pin with 1" Collar (#6)</b>	<b>9" Coupling Pin with 1" Collar (#5)</b>
<b>*Fits S-Style &amp; V-Style Frames*</b>	<b>*Fits W-Style &amp; #6 B/J-Style Frames*</b>	<b>*Fits #5 B/J-Style Frames*</b>
<b>OD: 1-7/16"</b>	<b>OD: 1-3/8"</b>	<b>OD: 1-1/4"</b>
<b>SSU PART #1069</b>	<b>SSU PART #1070</b>	<b>SSU PART #1071</b>
<b>Weight: 1.2 lbs</b>	<b>Weight: 1.2 lbs</b>	<b>Weight: 1.0 lb</b>



www.SKYRISESUPPLIESUSA.com



www.SKYRISESUPPLIESUSA.com



www.SKYRISESUPPLIESUSA.com

<b>7" Coupling Pin with 1/8" Collar (#6)</b>	<b>7" Coupling Pin with no Collar (#6)</b>	<b>Shoring Connector Pin</b>
<b>*Fits W-Style &amp; #6 B/J-Style Frames*</b>	<b>*Fits W-Style &amp; #6 B/J-Style Frames*</b>	<b>Weight: 0.95 lbs</b>
<b>OD: 1-3/8"</b>	<b>OD: 1-3/8"</b>	
<b>SSU PART #1072</b>	<b>SSU PART #1073</b>	<b>SSUPART #1074</b>
<b>Weight: 1.0 lb</b>	<b>Weight: 0.8 lbs</b>	



www.SKYRISESUPPLIESUSA.com



www.SKYRISESUPPLIESUSA.com

<b>Conversion Pin Shoring Leg (2.375") to Scaffold Leg (1.69") SSUPART #1075 Weight: 2.5 lbs</b>	<b>Conversion Pin Heavy Duty Frame (1.50") to Frame (1.69") SSUPART #1076 Weight: 1.75 lbs</b>
--	--

# SKYRISE SUPPLIES USA

## Pins & Clips



Spring Retainer Clip  
SSU PART #1077  
Weight: 0.03 lbs



Toggle Pin  
SSU PART #1078  
Weight: 0.15 lbs



Pig Tail Pin  
SSU PART #1079  
Weight: 1.00 lbs



Span Pin  
SSUPART #1080  
Weight: 0.20 lbs



Rivet & Cotter Pin  
\*For Frame Scaffold\*  
SSU PART #1081  
Weight: 0.20 lbs



Latch type Lock Pin  
SSU PART #1082  
Weight: 0.10 lbs

## Lock Types



Drop Lock  
(Replacement)  
SSU PART #1083  
Weight: 0.15 lbs



Flip Lock (Replacement)  
SSU PART #1084  
Weight: 0.15 lbs



Fast Lock (Replacement)  
SSUPART #1085  
Weight: 0.65 lbs



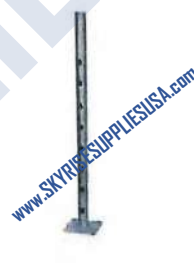
Flip Lock  
SSUPART #1086

# SKYRISE SUPPLIES USA

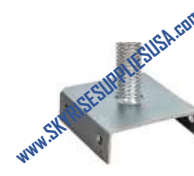
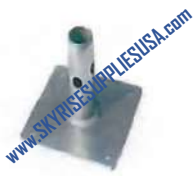
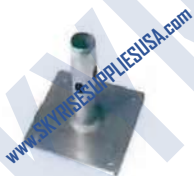
## Screw Jacks & Base Plates



24" SCREW JACK W/ BASE PLATE	24" SCREW JACK W/ BASE PLATE	SOCKET JACK	U HEAD JACK W/ BASE PLATE
*Fits 1.625" & 1.69" Frames	Fits 1.5 Frames	*Fits 1.625" & 1.69" Frames	*Fits 1.625" & 1.69" Frames
SSU PART #1087	SSU PART #1088	SSU PART #1089	SSU PART #1154
OD: 1-3/8"	OD: 1-1/4"	OD: 1-3/8"	
Weight: 11.5lbs	Weight: 11.5lbs	Weight: 11.5lbs	Weight: 11.5lbs



SWIVEL SCREW JACK	SWIVEL SCREW JACK	24" EXTENSION LEG BASE PLATE
*Fits 1.625" & 1.69" Frames	Fits 1.5 Frames	*Fits 1.625" & 1.69" Frames
SSU PART #1090	SSU PART #1091	SSU PART #1092
OD: 1-3/8"	OD: 1-1/4"	OD: 1-3/8"
Weight: 14.0lbs	Weight: 13.5lbs	Weight: 4.75lbs



5" X 5" BASE PLATE	5" X 5" BASE PLATE	SWIVEL BASE PLATE	SWIVEL BASE PLATE
*Fits 1.625" & 1.69" Frames	Fits 1.5 Frames	*Fits 1.625" & 1.69" Frames	*Fits 1.625" & 1.69" Frames
SSU PART #1093	SSU PART #1094	SSU PART #1095	SSU PART #1055
OD: 1-3/8"	OD: 1-1/4"	OD: 1-3/8"	OD: 1-3/8"
Weight: 3.0lbs	Weight: 3.0lbs	Weight: 3.5lbs	Weight: 3.5lbs

## Putlog/Trusses & Debris Chutes



**8' PUTLOG**  
**SSU PART #2056**  
Weight: 27.0lbs.



**12' PUTLOG**  
**SSU PART #2057**  
Weight: 39.0lbs.



**16' PUTLOG TRUSS**  
**SSU PART #2058**  
Weight: 61.0lbs.



**22' PUTLOG TRUSS**  
**SSU PART #2059**  
Weight: 84.0lbs.



**PARALLEL PUTLOG HANGER**  
**SSU PART #2060**  
Weight: 5.0lbs.



**RIGHT ANGLE PUTLOG HANGER**  
**SSU PART #2061**  
Weight 6.25lbs.



**SADDLE PIN (1.69'')**  
**SSU PART #2062**  
Weight: 2.0lbs.



**5'W PUTLOG SPREADER**  
**SSU PART #2063**  
Weight: 25.75lbs.



**OFFSET PIN (1.69'')**  
**SSU PART #2064**  
Weight: 6.0lbs.



**3' ACCESS LADDER**  
SSU PART #2043  
Weight: 12.0lbs.



**6' ACCESS LADDER**  
SSU PART #2044  
Weight: 19.0lbs.



**3' SAU LADDER**  
\*Galvanized  
SSU PART #2047  
Weight: 9.5bs.



**LADDER BRACKET - BOLT ON**  
SSU PART #2045  
Weight: 5.5lbs.



**LADDER BRACKET - SLIDE ON**  
SSU PART #2046  
Weight: 6.5lbs.



**6' SAU LADDER**  
\*Galvanized  
SSU PART #2048  
Weight: 18.0bs.



**Pulley**  
SSU PART #2091



**Host Post**  
SSU PART #2092



**SAU LADDER BRACKET**  
\*Galvanized  
SSU PART #2049  
Weight: 5.5bs.



## Side Brackets & End Brackets



**12" SIDE BRACKET (1-BOARD)**  
SSU PART #2091  
Weight: 5.5lbs.



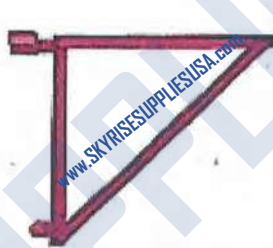
**21" SIDE BRACKET (2-BOARD)**  
SSU PART #2092  
Weight: 7.0lbs.



**30" SIDE BRACKET (3-BOARD)**  
SSU PART #2093  
Weight: 11.0lbs.



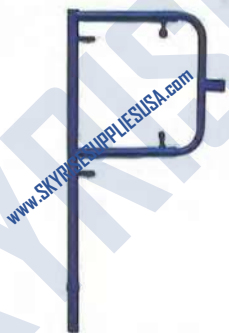
**21" SADDLE HANGER SIDE BRACKET (2-BOARD)**  
SSU PART #2094  
Weight: 11.0lbs.



**23" ANGLE IRON SIDE BRACKET (2-BOARD)**  
SSU PART #2095  
Weight: 12.5lbs.



**20" END BRACKET (2-BOARD)**  
SSU PART #2096  
Weight 12.0lbs.



**EXPANDABLE P-PANEL**  
\*Fits 2-Board & 3-Board Side Brackets  
SSU PART #2097  
Weight: 12.0lbs.



**SIDE BRACKET HOT DIP GALVANIZED**  
20" TO 32" EXTENDABLE  
SSU PART #2098

## Internal Stair units



**7' INTERNAL STAIR UNIT W/HANDRAILS**  
\*Fits 6' 4"T Frames (w/7' Cross Braces)  
**SSUPART #2050**  
Weight: 110.0bs.  
(Inside H/R: 070071 - Outside H/R: 070072)



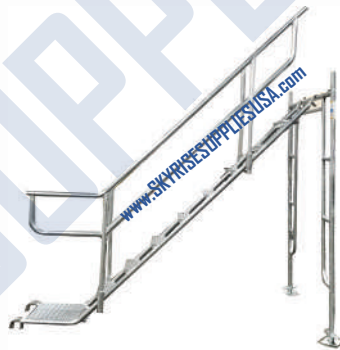
**8' INTERNAL STAIR UNIT W/HANDRAILS**  
\*Fits 6' 4"T Frames (w/8' Cross Braces)  
**SSUPART #2051**  
weight: 130.0bs.  
(Inside H/R: 070081 - Outside H/R: 070082)



**7' INTERNAL STAIR UNIT W/HANDRAILS**  
\*Fits 5'TFrames (w/7' Cross Braces)  
**SSUPART #2052**  
weight: 100.0bs.  
(Inside H/R: 070106 - Outside H/R: 070107)



**7' INTERNAL STAIR UNIT W/HANDRAILS**  
\*Fits 6' 7"T Frames (w/7' Cross Braces)  
**SSUPART #2053**  
Weight: 112.0bs.  
(Inside H/R: 070088 - Outside H/R: 070089)



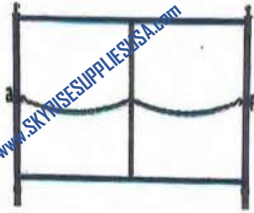
**HOT DIP GALVANIZED STAIR**  
**SSU PART #2054**



**SYSTEM STAIR UNIT 7Ft to 8Ft**  
**SSUPART #2055**



**BLUE 8' STAIRS with Handrails**  
**SSU PART #2057**



**5'W MASON FRAME ACCESS PANEL**  
SSU PART #1131  
Weight: 27.0lbs.



**3' EXPANDABLE ACCESS GATE**  
SSU PART #1132  
Weight: 23.0lbs.



**3' EXPANDABLE ACCESS GATE**  
SSU PART #1133  
Weight: 32.0lbs.



**7'L GUARD RAIL PANEL**  
SSU PART #1134  
Weight: 18.5lbs.



**8'L GUARD RAIL PANEL**  
SSU PART #1135  
Weight: 20.0lbs.



**10'L GUARD RAIL PANEL**  
SSU PART #1136  
Weight 22.0lbs.



**3'W END PANEL**  
SSU PART #1137  
Weight: 8.0lbs.



**42\" data-bbox="236 756 354 798"/>**



**5'W END PANEL**  
SSU PART #1139  
Weight: 14.0lbs.



**5'W F TYPE PANEL**  
SSU PART #1140

## Multi Function Scaffold Aluminum



**MULTI-FUNCTION UNIT - ALUMINUM**  
29"W x 6'L x 6'T  
**SSU PART #1147**  
Weight: 100.0bs.



**ALUMINUM GUARD RAIL ASSEMBLY**  
**SSU PART #1148**  
Weight: 30.0bs.



**18" OUTRIGGER FOR ALUM MFU**  
\*RIGID  
**SSUPART #1149**  
Weight: 3.0lbs..



**5" LOCKING CASTER - SQUARE STEM**  
**SSU PART #1150**  
Weight: 5.0lbs.



**30" OUTRIGGER FOR ALUM MFU**  
\*SWIVEL  
**SSU PART #1151**  
Weight 11.0lbs.

# SKYRISE SUPPLIES USA

## Guard Rail Post & Tubular Guard Rails



<b>1.69" FEMALE GUARD RAIL POST</b>	<b>1.69" MALE GUARD RAIL POST</b>	<b>1.69" FEMALE GUARD RAIL POST</b>
<b>*4- Fast Locks</b>	<b>*3- Flip Locks</b>	<b>*4- Drop Locks</b>
<b>SSU PART #: 1041</b>	<b>SSU PART #: 1042</b>	<b>SSU PART #: 1043</b>
<b>Weight: 7.5lbs</b>	<b>Weight: 7.0lbs</b>	<b>Weight: 15.0lbs</b>



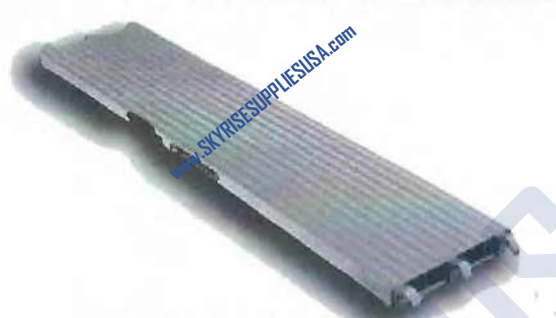
<b>1.625" FEMALE GUARD RAIL POST</b>	<b>1.69" MALE GUARD RAIL POST</b>
<b>*4- Fast Locks</b>	<b>*3- Flip Locks</b>
<b>SSU PART #: 1044</b>	<b>SSU PART #: 1045</b>
<b>Weight: 7.5lbs</b>	<b>Weight: 7.0lbs</b>



Guard Rail

SSU PART #	DECIPTION	LENGTH (HOLE TO HOLE)	WEIGHT (Lbs)
#1046	2' Guard Rail	2'	2.0
#1047	3' Guard Rail	3'	2.6
#1048	4' Guard Rail	4'	3.6
#1049	5' Guard Rail	5'	4.5
#1050	6' Guard Rail	6'	5.6
#1051	7' Guard Rail	7'	6.6
#1052	8' Guard Rail	8'	7.6
#1053	10' Guard Rail	10'	25.4

## Steel Scaffold Decks



**ALL ALUMINUM SCAFFOLD DECK**

FSL PART #	DESCRIPTION	WEIGHT (Lbs)
SSU PART #1054	5'L X 19"W Aluminium Decks	25.0
SSU PART #1055	7'L X 19"W Aluminium Decks	31.0
SSU PART #1056	8'L X 19"W Aluminium Decks	35.0
SSU PART #1057	10'L X 19"W Aluminium Decks	40.0



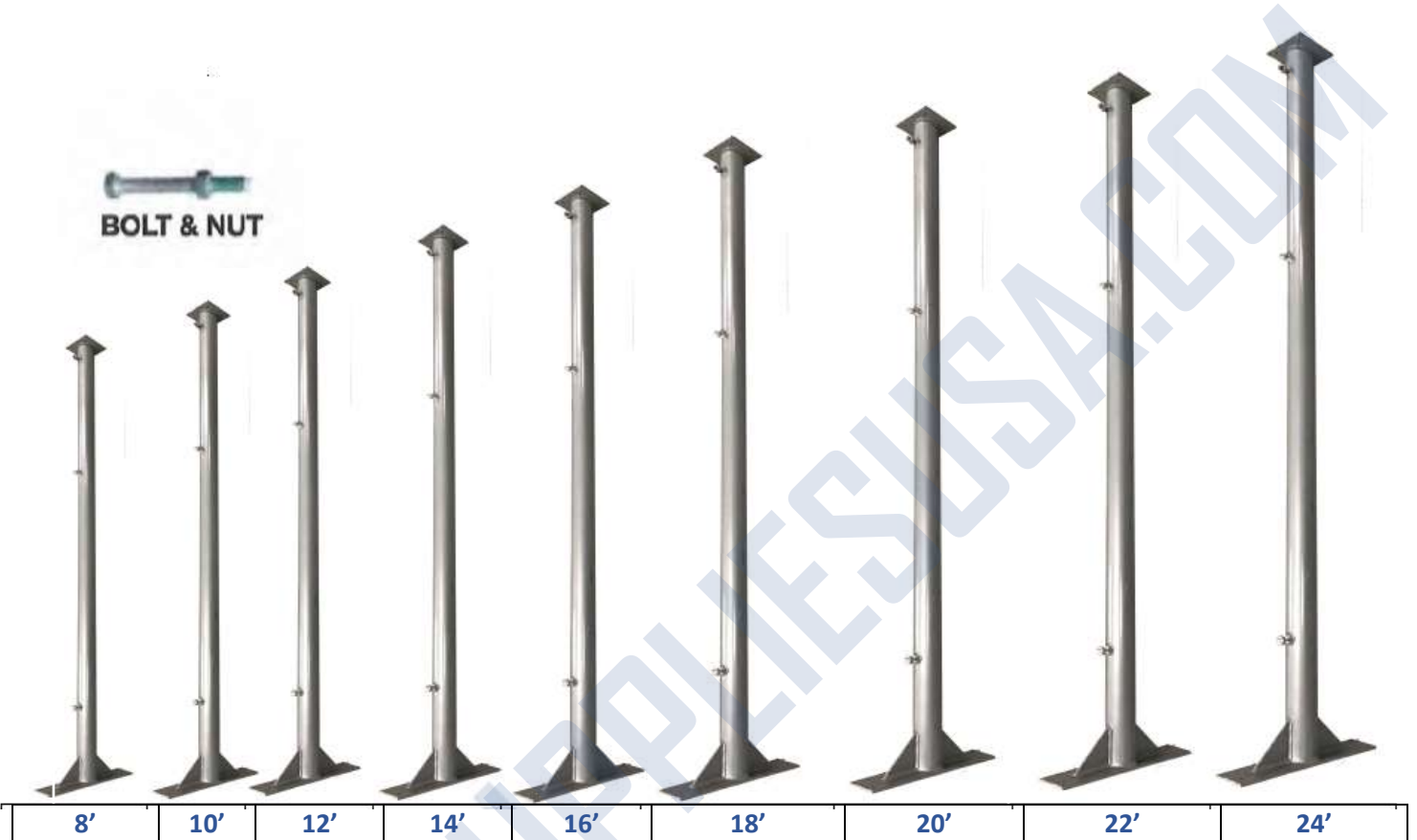
**ALUMINUM/PLYWOOD SCAFFOLD DECK**

SSU PART #	DESCRIPTION	WEIGHT (Lbs)
#1058	7'L X 19"W Aluminium Decks	35.0
#1059	8'L X 19"W Aluminium Decks	43.0
#1060	10'L X 19"W Aluminium Decks	51.0

# BRIDGING CATEGORY

- Bridge legs
- Header beam clamps, Plastic nuts, Lock washers
- Cross braces
- Girths, Tube Links (locking end pipes with fittings)
- Corrugated Sheets Clamps,
- Parapet braces Fire retardant
- Nettings

## Sidewalk Bridge



SSU PART #	DESCRIPTION	WEIGHT
#2000	8' Bridge Leg	80.0
#2001	10' Bridge Leg	90.0
#2002	12' Bridge Leg	110.0
#2003	14' Bridge Leg	125.0
#2004	16' Bridge Leg	140.0
#2005	18' Bridge Leg	160.0
#2006	20' Bridge Leg	180.0
#2007	22' Bridge Leg	200.0
#2008	24' Bridge Leg	220.0
#2009	Bridge Leg Bolt	0.50
#2010	Bridge Leg Nut	0.25



## Sidewalk Bridge



**DIAGONAL BRACE (10' 4")**  
SSU PART #2011  
Weight: 13.0lbs.



**PARAPET BRACE**  
SSU PART #2012  
Weight: 3.5lbs.



**PARAPET ANGLE**  
SSU PART #2013  
Weight: 1.5lbs.



**Junior beam Clamp**  
4 inches  
SSU PART #2014



**Header beam Clamp**  
6 inches  
SSU PART #2015



**Header beam Clamp**  
8 inches  
SSU PART #2016



**Header beam Clamp**  
10 inches  
SSU PART #2017



**5/8" Plastic Nuts**  
FSL PART #2018



**Ball type Knob**  
SSU PART #2019



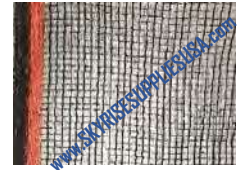
**Lock Washers**  
SSU PART #2020



**Tightening Spinner**  
SSU PART #2021



**50lbs Zip ties for netting**  
FSL PART #2022



**Fire Proof Nettings**  
SSU PART #2023



**Horizontal Gurtz**

SSU PART #	DESCRIPTION	WEIGHT (LBS)
#2024	1' Gurtz	1.1
#2025	2' Gurtz	2.2
#2026	3' Gurtz	4.5
#2027	4' Gurtz	6.75
#2028	5' Gurtz	8.1
#2029	6' Gurtz	9.8
#2030	7' Gurtz	11.5
#2031	8' Gurtz	13.0

# SKYRISE SUPPLIES USA

## Tube w/End fittings



TUBE W/END FITTINGS

SSUPART #	DESCRIPTION	WEIGHT (Lbs)
#1061	4' Tube w/End Fittings	12.0
#1062	6' Tube w/End Fittings	17.2
#1063	8' Tube w/End Fittings	21.0
#1064	10' Tube w/End Fittings	25.0
#1065	13' Tube w/End Fittings	32.5
#1066	16' Tube w/End Fittings	41.0
#1067	20' Tube w/Open Ends	48.0

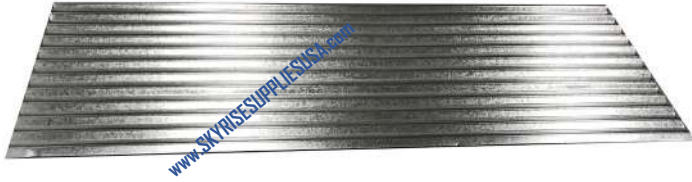


Inside Pipe  
Connector  
SSU PART #1152



Outside Pipe  
Connector Clamp  
SSU PART #1153

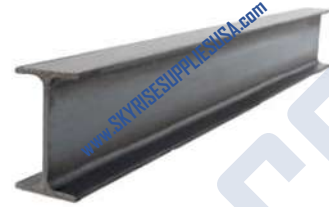
## Bridging Accessories



**Corrugate Galvanized Sheets**

**SSU PART #**

Corrugate Sheets 8'x33" W 24 GAUGE	#2032
Corrugate Sheets 10'x33" W24 GAUGE	#2033
Corrugate Sheets 12'x33' W 24 GAUGE	#2034
Corrugate Sheets 8'x33" W 26 GAUGE	#2035
Corrugate Sheets 10'x33" W 26 GAUGE	#2036
Corrugate Sheets 12'x33" W 26 GAUGE	#2037



**Junior Beams**

**7.7 lbs per Feet**

Lengths	SSU PART#
10Ft	#2038
16Ft	#2039
20Ft	#2040



**DD Double head Nails of all sizes**  
**SSU PART #2041**



**DD Single Head Nails of all sizes**  
**SSUPART #2042**

## Forged Steel Clamps

### HALF STEEL CLAMPS FORGED



INCHES  
MM

3.5"  
89  
SSU PART #2065

3"  
73  
SSU PART #2066

2.5"  
63  
SSU PART #2067

2"  
48.3  
SSU PART #2068

### SWIVEL FORGED STEEL CLAMPS



INCHES  
MM

3.5" x 2"  
89 x 48.3  
SSU PART #2069

3" x 3"  
73 x 73  
SSU PART #2070

3" x 2"  
73 x 48.3  
SSU PART #2071

2.5" x 2.5"  
63 x 63  
SSU PART #2072

2.5" x 2"  
63 x 48.3  
SSU PART #2073

2" x 2"  
48.3 x 48.3  
SSU PART #2074

### FIXED FORGED STEEL CLAMPS



INCHES  
MM

3.5" x 2"  
89 x 48.3 FSL  
SSU PART #2075

3" x 2"  
73 x 48.3  
SSU PART #2076

2.5" x 2"  
63 x 48.3  
SSU PART #2077

2" x 2"  
48.3 x 48.3  
SSU PART #2078

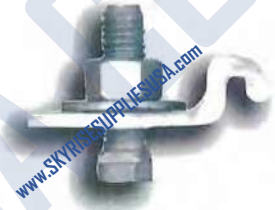
## Clamps - Aluminum Beams/Stringers



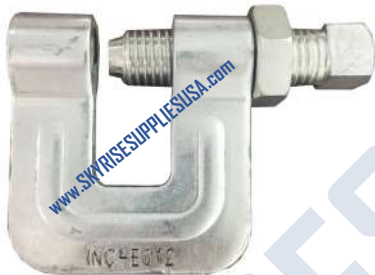
**2" RIGID PIPE TO BEAM CLAMP (I-BOLT)**  
**SSU PART #207**  
**Weight: 3.25bs.**



**2" SWIVEL PIPE TO BEAM CLAMP (I-BOLT)** SSU PART #280  
**Weight: 3.75lbs.**



**A-CLAMP ASSEMBLY #2**  
 \*Aluminum  
**SSU PART #208**  
**Weight: .35bs.**



**C-CLAMP 3/4"**  
 \*Steel  
**FSL PART #2082**  
**Weight: 0.40bs.**



**C-CLAMP 5/8"**  
 \*Steel  
**SSU PART #208**

## Rolling Tower Accessories



**8" HEAVY DUTY CASTER - 1-1/4" STEM**  
 \* Fits 1.5"Ø Frame Legs (#5)  
 Double Locking  
**SSU PART #2087**  
 Weight: 12.5lbs.



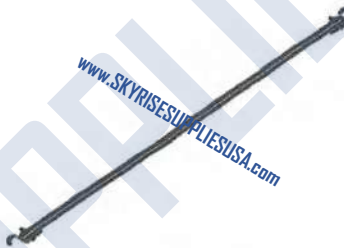
**8" HEAVY DUTY CASTER - 1-3/8" STEM**  
 \* Fits 1.625" & 1.69"Ø Frame Legs (#6 & #7)  
 Double Locking  
**SSU PART #2088**  
 Weight: 12.5lbs.



**8" HEAVY DUTY CASTER - 1-1/2" STEM**  
 \* Fits 1.9"Ø Verticals (System)  
 Double Locking  
**SSU PART #2088**  
 Weight: 12.5lbs.



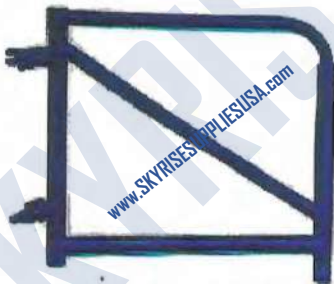
**5' X 7' HORIZONTAL GOOSER**  
**SSU PART #2087**  
 Weight: 13.0lbs.



**5' X 8' HORIZONTAL GOOSER**  
**SSU PART #2088**  
 Weight: 14.2lbs.



**5' X 10' HORIZONTAL GOOSER**  
**SSU PART #2089**  
 Weight: 15.5lbs.



**30" OUTRIGGER FOR FRAME SCAFFOLD**  
**SSU PART #2090**  
 Weight: 20.0lbs.

## Ring Lock Accessories



**A-TYPE STARTER BRACKET**  
SSU PART #4000



**ROSSETTE CLAMP ( DROP FORGED)**  
SSU PART #4001



**SCREWJACK/BASE JACK**  
SSU PART #4002



**SWIVEL JACK**  
SSU PART #4003



**STARTER/BASE COLLAR**  
SSU PART #4004



**BOLTED SPIGOT**  
FROM 1FT. to 9FT  
SSU PART #4005



**STANDARD WITH CRIMPED SPIGOT**  
FROM 1FT. TO 11FT.  
SSU PART #4006



**LEDGER O-TYPE**  
FROM 0 TO 10 FEET  
SSUPART #4007



**SIDE BRACKET FROM**  
1FT TO 10.5 FT FSL  
SSU PART #4008

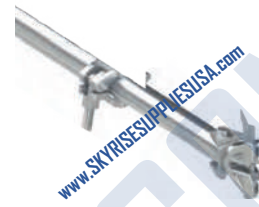
## Ring Lock Accessories



**BAY BRACE FROM  
2FT TO 10 FT FSL  
SSU PART #4009**



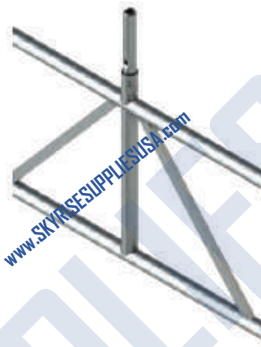
**SWIVEL CLAMP BRACE  
FROM 5FT TO 10 FT  
SSU PART #4010**



**TELESCOPIC PLAN BRACE  
FROM 5FT TO 10FT  
SSU PART #4011**



**LATTICE GIRDER W/ NO SPIGOT  
FROM 14FT TO 28FT  
SSU PART #4012**



**LATTICE GIRDER W/ SPIGOT  
FROM 14FT TO 28FT  
SSU PART #4013**



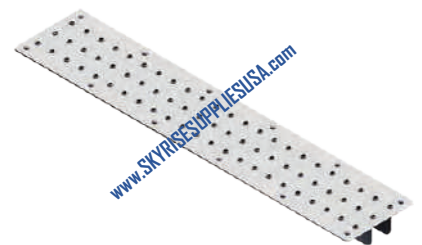
**LATTICE GIRDER  
SPIGOT ADAPTER  
SSU PART #4014**



**SPIGOT ADAPTER CLAMP  
I-BOLT  
SSU PART #4015**



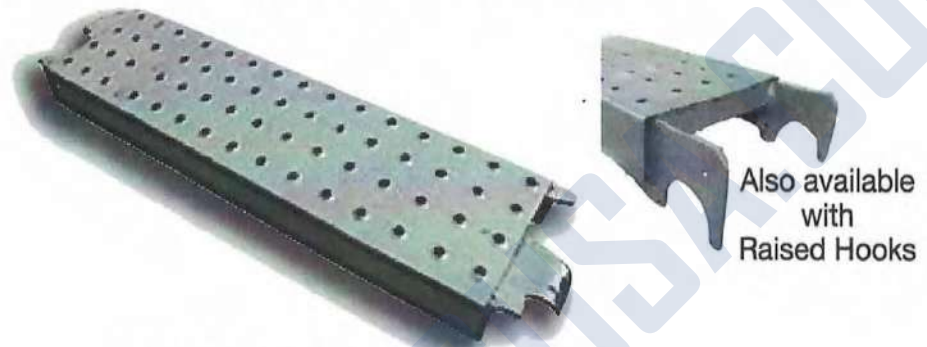
**STEEL DECK FROM  
2FT TO 10FT  
SSU PART #4016**



**INFILL DECK FROM  
2FT TO 10FT  
SSU PART #4017**



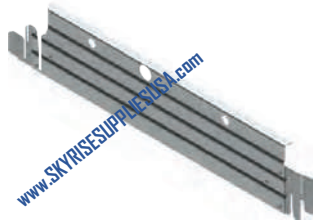
## Steel Scaffold Decks



STEEL SCAFFOLD DECK - FLAT HOOK

SSU PART #	DESCRIPTION	WEIGHT
#4018	2' 0" x 9" W Steel Deck	9.0 lbs
#4019	2' 2" L x 9" W Steel Deck	10.0 lbs
#4020	3' 0" L x 9" W Steel Deck	12.0 lbs
#4021	3' 6" L x 9" W Steel Deck	15.0 lbs
#4022	3' 10" L x 9" W Steel Deck	18.75 lbs
#4023	4' 0" L x 9" W Steel Deck	19.25 lbs
#4024	5' 0" L x 9" W Steel Deck	23.5 lbs
#4025	5' 2" L x 9" W Steel Deck	14.5 lbs
#4026	6' 0" L x 9" W Steel Deck	27.75 lbs
#4027	7' 0" L x 9" W Steel Deck	32.0 lbs
#4028	8' 0" L x 9" W Steel Deck	35.25 lbs
#4029	9' 0" L x 9" W Steel Deck	38.75 lbs
#4030	10' 0" L x 9" W Steel Deck	44.5 lbs

## Ring Lock Accessories



**INTERLOCKING TOEBOARD  
FROM 2FT TO 10FT  
SSUPART #4031**



**STAIR STRINGERS  
LEFT AND RIGHT  
7' AND 8'  
SSU PART #4032**



**STAIR TREAD FROM 30" TO 42"  
SSU PART #4033**



**SYSTEM STORAGE RACK  
SSU PART #1143  
Weight: 125.0lbs.**



**COLLAPSIBLE STORAGE BASKET  
SSU PART #1144  
Weight: 75.0lbs.**

# HOIST CATEGORY

- Hoist Tie Holders, Cable
- Guides Double Ties
- Tie Extensions, U Bolts Hoist holding plates, Hoist Ties, Dual
- Holding plates
- 4 Pole System (Custom Dimensions Available)
- Hoist Gates of all sizes, Single and Double Fold
- Hoist Rollers , Racks, Pinions

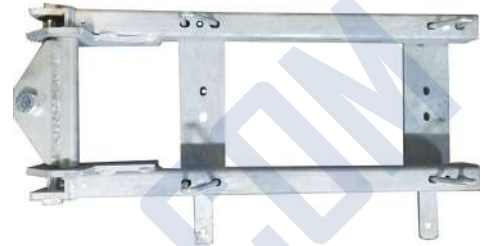
## Hoist Accessories



www.SKYRISESUPPLIESUSA.com



www.SKYRISESUPPLIESUSA.com



Tie holder	Cable guide	Tie adjuster
SSU PART #5000	SSU PART #5001	SSUPART #5002



www.SKYRISESUPPLIESUSA.com

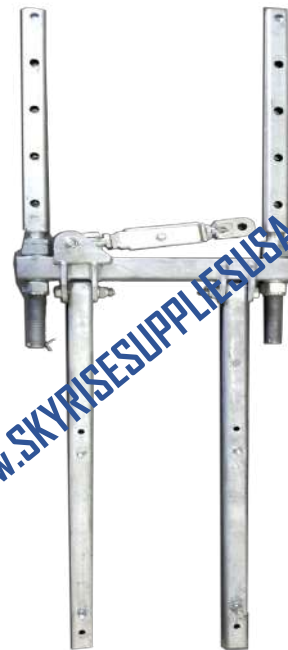
**U BOLTS**  
SSU PART #5046



**Eye bolt 1" Stell Forged**  
SSUPART #5004



**Double Tie**  
SSU PART #5003



www.SKYRISESUPPLIESUSA.com

**Tie Extensions**  
SSU PART #5047

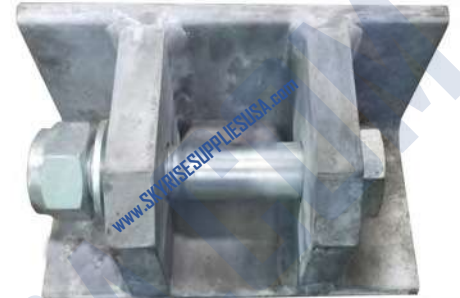
## Hoist Accesories



**Tie Holding Plate**  
1" 4 holes  
SSU PART #5005



**Tie Holding Diamond Plate**  
1" Bolt 2 Holes  
SSU PART #5006



**Tie Holder**  
1" Bolt  
SSU PART #5007



**Tie Holding Center Plate**  
1" Bolt  
SSU PART #5008



**Dual Tie Holding Plate**  
1" Bolt  
SSU PART #5009

### Hoist Ties



SSU PART #5010

9ft – 13Ft



SSU PART #5011

5Ft – 9Ft



SSU PART #5012

2Ft – 5Ft



SSU PART #5013

9ft – 15Ft



SSU PART #5014

5Ft – 9Ft



SSU PART #5015

2.6Ft – 4Ft

## Hoist Accesories



### Hoist Landing Gates Double Panel

Part No.	Item Description
#5021	5ft W x 7ft H , Double Fold Gates
#5022	5ft W x 7ft H, Double Fold Gates
#5023	5ft W x 7ft H, Double Fold Gates
#5024	5ft W x 8ft H Double Fold Gates
#5025	5ft W x 9ft H Double Fold Gates
#5026	5ft W x 10ft H Double Fold Gates



### Hoist Landing Gates Single Panel

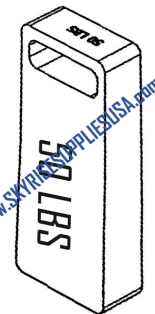
Part No.	Item Description
#5052	5ft W x 7ft H , Single Fold Gates
#5053	5ft W x 7ft H, Single Fold Gates
#5054	5ft W x 7ft H, Single Fold Gates
#5055	5ft W x 8ft H Single Fold Gates
#5056	5ft W x 9ft H Single Fold Gates
#5057	5ft W x 10ft H Single Fold Gates



Hot dip galvan's hoist  
Landing gate with solenoid lock  
SSU PART #5020

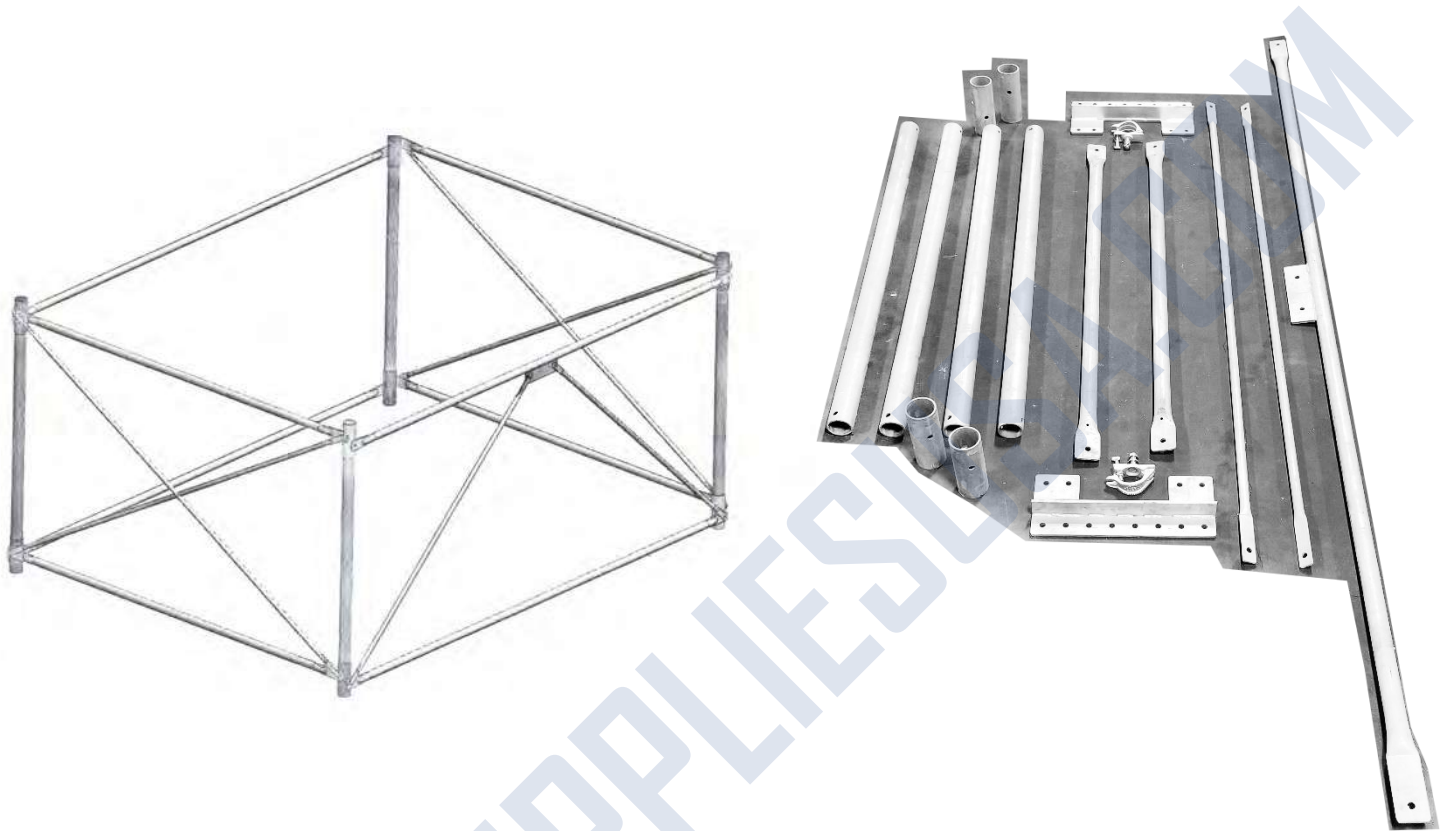


Hoist Anchor  
SSU PART #5058



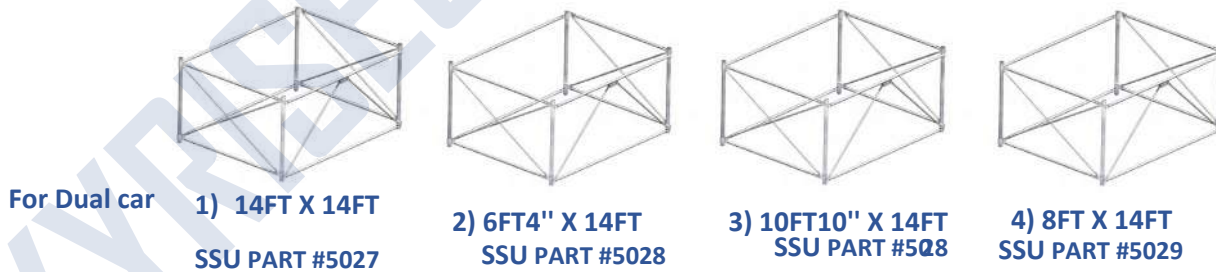
Handle Weight 50Lb0s  
SSU PART #5059

## 4 Pole System



Hoist Form Pole Assembly parts for  
Dual & Single Car

### Available Box Sizes



## 4 Pole System Parts



K Brace  
SSU PART#5033



Cross Brace  
SSU PART #5034



Gurtz  
SSU PART #5035



Heavy Duty Poll  
SSUPART #5036



Sleeve  
SSUPART #5037



Beam holding Plates  
SSUPART #5038



Heavy Duty Stud Clamps W/ 3/4 Bolt  
SSU PART #5039



## Hoist Accesories



**Guide Alimak Nylon Rollers**  
SSU PART #5016



**Steel Guide Rollers**  
SSU PART #5017



**Nylon Guide Rollers**  
SSU PART #5018



**Steel Wire Rope Pulleys**  
SSU PART #5019



**ALIMACK HOIST 5 INCH ROLLER**  
SSU PART #5045



**PEGA 3.5 INCH ROLLER**  
SSU PART #5041



**PEGA 4.5 INCH ROLLER**  
SSU PART #5042



**Big roller**  
SSU PART #5040



**PEGA 5 INCH ROLLER**  
SSU PART #5043



**STROSS 6 INCH ROLLER**  
SSU PART #5044



**STROSS 5 INCH ROLLER**  
SSU PART #5051



**Steel Rack**  
SSU PART #5048

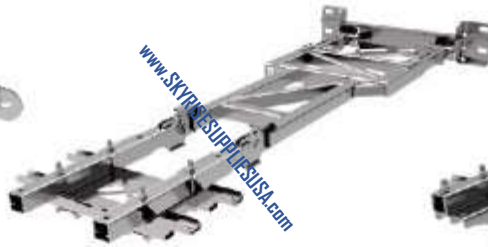


**Pinion**  
SSU PART #5049

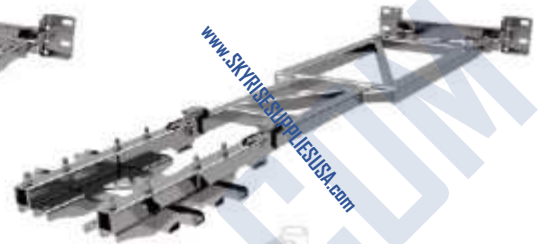
## Hoist Ties



MT-A  
SSU PART #5050



MT-B  
SSU PART #5051



MT-C  
SSU PART #5052



MT-D  
SSU PART #5053



MT-E  
SSU PART #5054



MT-F  
SSU PART #5055



MT-G  
SSU PART #5056



MT-H  
SSU PART #5057



MT-I  
SSU PART #5058

## Material Hoist Mast Sections



SSU PART #5059  
175x175x1508



SSU PART #5060  
350x350x1508



SSU PART #5061  
350x350x1508



SSU PART #5062  
350x1508



SSU PART #5063  
450x450x1508



SSU PART #5064  
450x1508



SSU PART #5065  
450x200x1508



SSU PART #5066  
500x500x1508



SSU PART #5067  
500x300x1508



SSU PART #5068  
550x550x1508



SSU PART #5069  
550x1508



SSU PART #5070  
650x650x1508



SSU PART #5071  
650x250x1508



SSU PART #5072  
650x1508



SSU PART #5073  
650x900x1508

## Hoist Accesories



**AVRO CABLE ROLLER**  
WEIGHT: 6LB 2.4oz/2kg 790 grams  
QUANTITY : 20 pcs  
SSU PART #5074



**AVRO STEEL ROLLER**  
WEIGHT: 2LB 7.2oz/1kg 110 grams  
QUANTITY : 50 pcs  
SSU PART #5075



**COUNTER WEIGHT ROLLER(BIG)**  
WEIGHT: 2LB 2.8oz/985 grams  
QUANTITY : 16 pcs  
SSU PART #5076



**COUNTER WEIGHT ROLLER(SMALL)**  
WEIGHT: 1LB 1.6oz/500 grams  
QUANTITY : 64 pcs  
SSU PART #5077



SSU PART #5078



FSL PART #5079

# SWING STAGING CATEGORY

- Electric stirrups, Parapet
- Clamps Counter Weights 50LB
- Delta System Assembly
- Suspension shackles
- Fist Grips, Shackles, Hooks, Weights

## Swing Staging



Shackle 5/8  
SSU PART #6013



Shackle 3/4  
SSU PART #6014



Fist Grips 1/2  
SSU PART #6016



Fist Grips 1/2  
SSU PART #6017



Fist Grips 1/2  
SSU PART #6018



Hanging pass by Stirrup  
SSU PART #6010



Counter Weight 50lbs  
SSU PART #6011



DELTA SYSTEM ASSEMBLY  
SSU PART #6012



### Cornice Roof Hooks

Sizes	SSU PART #
12"	#6003
20"	#6004
24"	#6005
28"	#6006
32"	#6007
36"	#6008
40"	#6009



Electric Stirrup  
SSUPART #6001



Parapet Clamp 24"  
SSUPART #6002



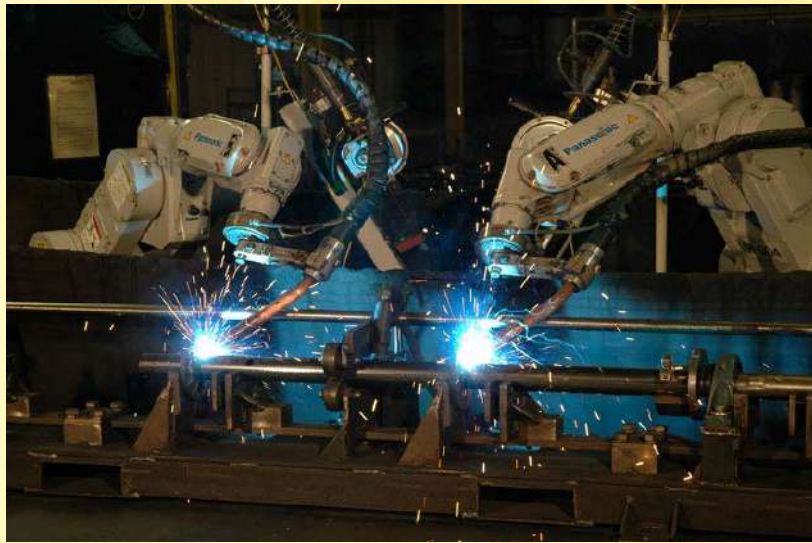
Parapet Clamp (1,500 lbs load capacity)  
SSU PART #6015



**SKYRISE SUPPLIES**

— USA —

**WORLD'S MOST ADVANCED  
FABRICATION SHOP**





# SKYRISE SUPPLIES

USA



[www.skyrisesuppliesusa.com](http://www.skyrisesuppliesusa.com)



[info@skyrisesuppliesusa.com](mailto:info@skyrisesuppliesusa.com)



908-751-1000 Direct 908-500-1926



2569 Brunswick Ave, Linden  
NJ 07036 USA