




SKYRISE SUPPLIES

USA

Product Catalog 2019

 info@skyrisesuppliesusa.com

 718-653-1000





SKYRISE SUPPLIES

USA

Skyrise Supplies USA has offered Complete range of construction equipment to our strategic clients around the world, matching our expertise to the specific needs of our customers. With our extensive experience in the industrial market, we specialize Manufacturing/custom design and distribution of construction, Equipment. Our experienced customer-driven team provides a seamless, service from product, development production, quality control, delivery and local engineering support for fast, effective solutions where ever required. Where applicable, our products are finished and protected by zinc galvanizing. This method of finishing maximizes the finishing maximizes the utilization and extends the product life. Skyrise Supplies USA products are engineered with versatility and usability in mind. Our modified product designs increase efficiency and productivity, saving your projects time and money.

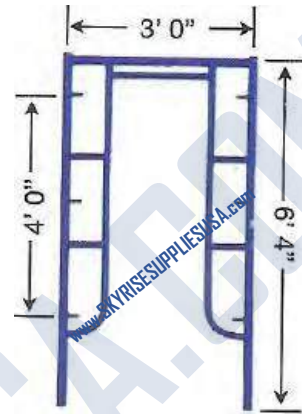
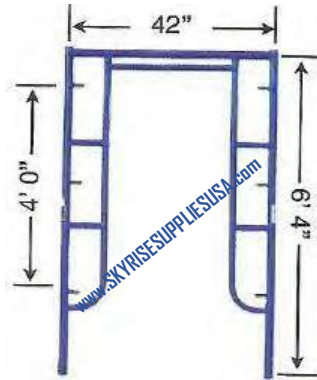
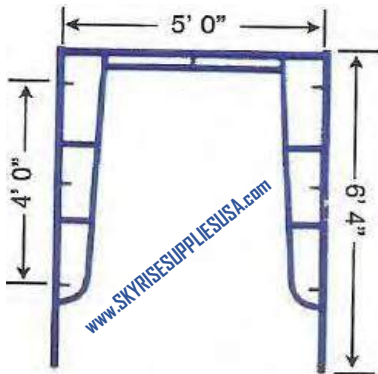
Contact

Ph: (718)-653-1000

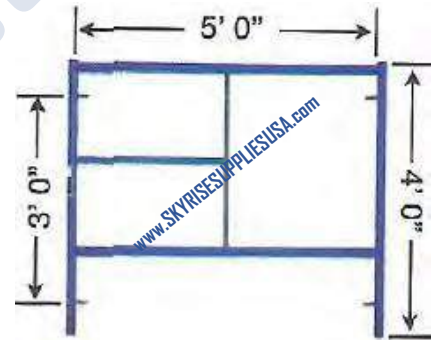
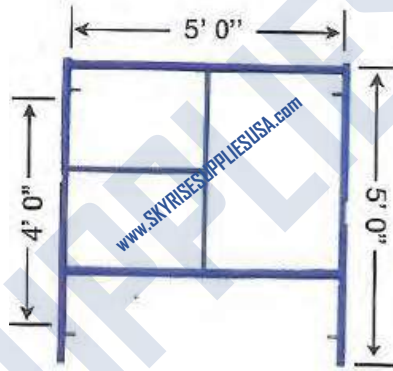
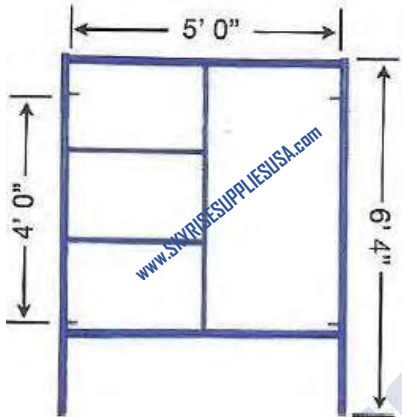
SCAFFOLD CATEGORY

- Scaffold Walk-Through Frames
- Scaffold Frames
- Ladder Frames
- Scaffold cross braces
- Scaffold side arm brackets
- Scaffold accessories (Coupling pins & accessories)
- Screw jacks and base plates
- Ladders, Staircases
- Guard rails Planks
- Clamps & connectors

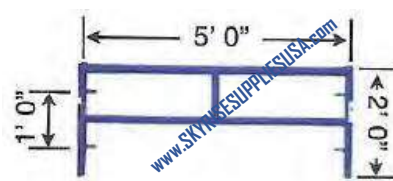
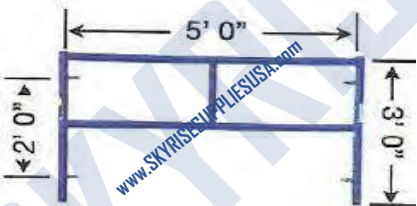
Scaffolding Frames



5'W x 6'4\"/>		
Walk-Thru Frame	42\"/>	
SSU PART #1001	Walk-Thru Frame	3'W x 6'4\"/>
Weight: 46.0 lbs	SSU PART #1002	Walk-Thru Frame
	Weight: 42.0 lbs	SSU PART #1003
		Weight: 39.0 lbs



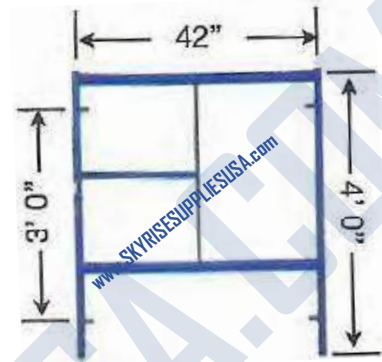
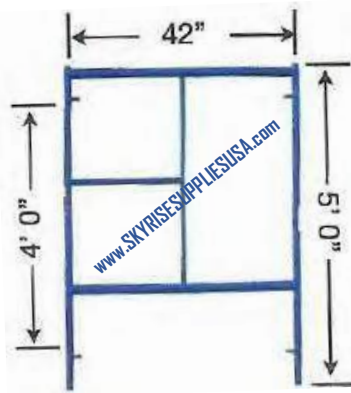
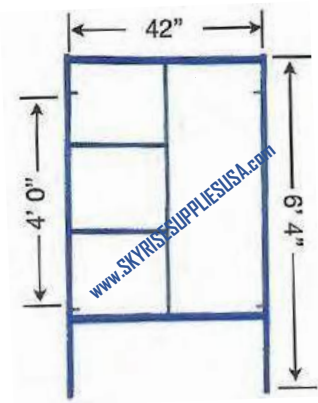
5'W x 6'4\"/>		
Mason Frame	5'W x 5'0\"/>	
SSU PART #1004	Mason Frame	5'W x 4'0\"/>
Weight: 46.0 lbs	SSU PART #1005	Mason Frame
	Weight: 39.0 lbs	SSU PART #1006
		Weight: 36.0 lbs



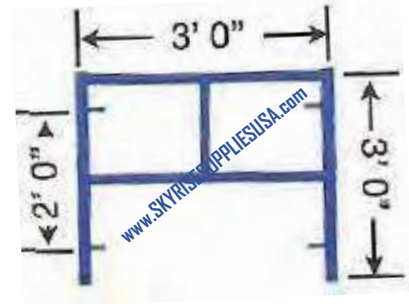
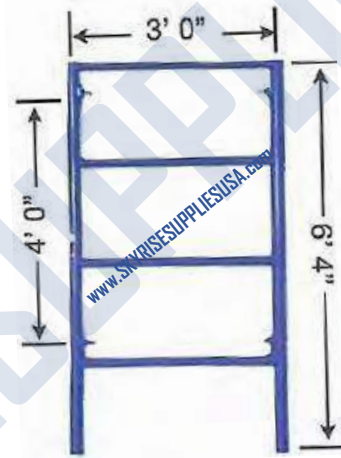
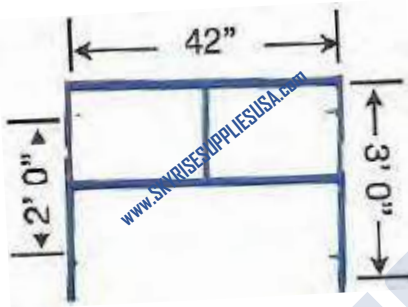
5'W x 3'0\"/>		
Mason Frame	5'W x 2'0\"/>	
SSU PART #1007	Mason Frame	Frame lock
Weight: 26.0 lbs	SSU PART #1008	SSU PART #1009
	Weight: 22.0 lbs	Weight: 5.0 lbs

Frame Leg	Top Lock	Lock Style	Coupling Pin Hole
1.69" (1-11/16")	8.5" (6" on 2'T & 3'T Frames)	Drop Lock	45°

Scaffolding Frames



42"W x 6' 4"T	42"W x 5'T	42"W x 4'T
Mason Frame	Mason Frame	Mason Frame
SSUPART #1010	SSU PART #1011	SSUPART #1012
Weight: 44.0 lbs	Weight: 37.0 lbs	Weight: 32.0 lbs



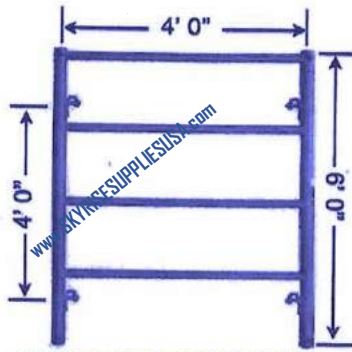
42"W x 3'T	3'W x 6' 4"T	3'W x 3'T
Mason Frame	Ladder Frame	Ladder Frame
SSUPART #1013	SSU PART #1014	SSU PART#1015
Weight: 27.0 lbs	Weight: 36.0 lbs	Weight: 24.0 lbs

Frame Leg	Top	Lock Style	Coupling Pin
1.69" (1 - 11/16")	8.5" (6" on 2'T & 3'T)	Drop Lock	45°

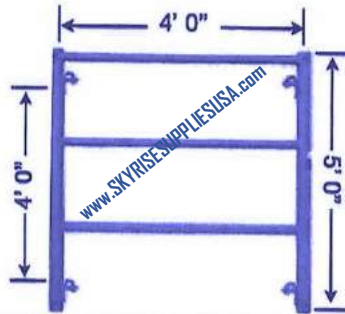
SHORING CATEGORY

- Shoring Walk-Through Frames Shoring
- Mason Frames
- Shoring Post Shore
- Shoring cross braces
- Shoring U Heads
- Shoring accessories, (Coupling pins & accessories)
- Screw Jacks and base plates
- Clamps & connectors pages

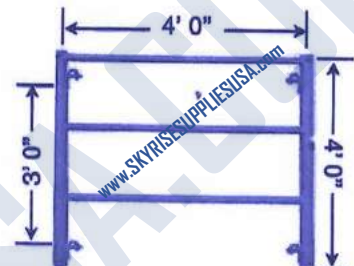
Shoring frames



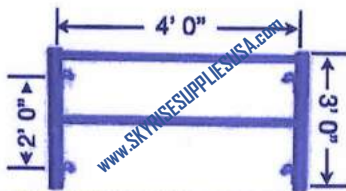
4'W X 6'T SHORING FRAME
SSUPART #3000
Weight: 67.0lbs.



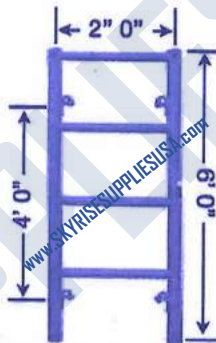
4'W X 5'T SHORING FRAME
SSUPART #3001
Weight: 53.0lbs.



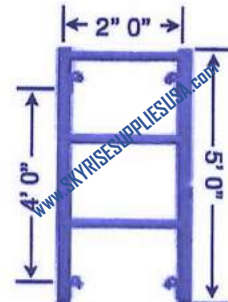
4'W X 4'T SHORING FRAME
SSUPART #3002
Weight: 47.0lbs.



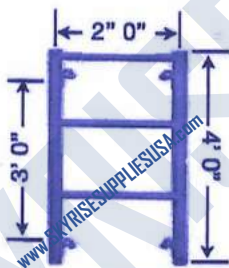
4'W X 3'T SHORING FRAME
SSUPART #3003
Weight: 35.0lbs.



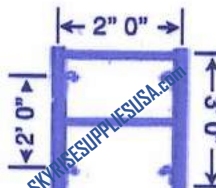
2'W X 6'T SHORING FRAME
SSUPART #3004
Weight: 58.0lbs.



2'W X 5'T SHORING FRAME
SSUPART #3005
Weight: 45.0lbs.



2'W X 4'T SHORING FRAME
SSUPART #3006
Weight: 37.0lbs.



2'W X 3'T SHORING FRAME
SSUPART #3007
Weight: 25.0lbs.



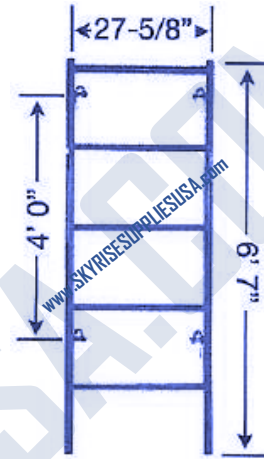
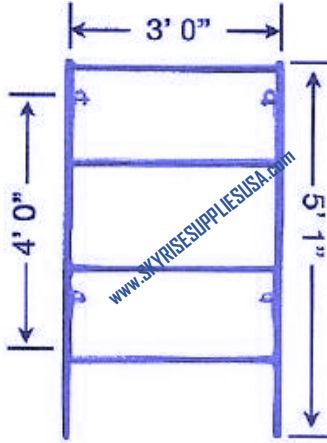
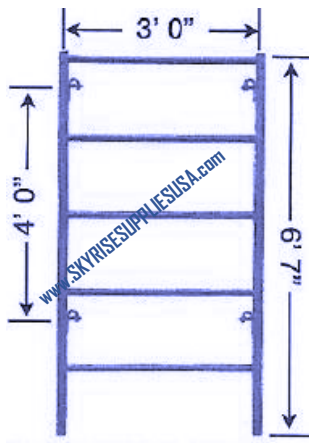
FAST LOCK
SSUPART #3008



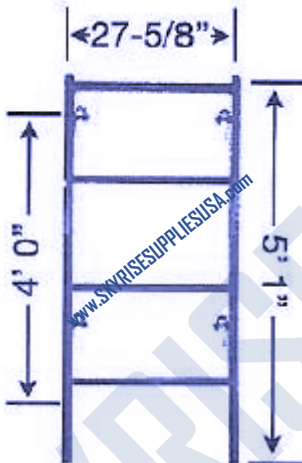
FRAME FLIP LOCK
SSUPART #3009

FRAME LEG	TOP LOCK	LOCK STYLE	COUPLING PIN HOLE
2.375" (2-3/8")	7" (13" on 6'T Frames)	Fast Lock	90 Degrees

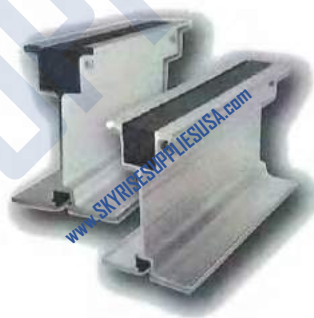
Shoring - Narrow frames



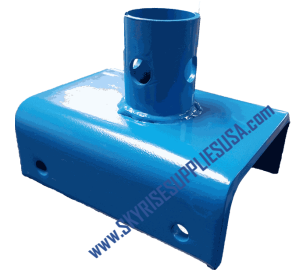
3'W x 6'7\"T	3'W x 5'1\"T	27-5/8\" W x 6'7\"T
Narrow Shoring Frame	Narrow Shoring Frame	Ladder Frame
SSUPART #3010	SSU PART #3011	SSU PART #3012
Weight: 42.0 lbs	Weight: 32.0 lbs	Weight: 37.0 lbs



27-5/8\" W x 5'1\"T
Ladder Frame
SSU PART #3013
Weight: 29.0 lbs



**ALUMINUM BEAMS
&
ALUMINUM STRINGERS**
*Custom sizes available
(4' - 28')
CALL FOR DETAILS!



SHORING U HEAD
4x8 SSU PART #3021
5x8 SSU PART #3022
8x8 SSU PART #3023

Frame Leg	Top Lock	Lock Style	Coupling Pin Hole
1.625\" (1-5/8\")	7\"	Fast Lock	90°

SKYRISE SUPPLIES USA

Post Shore / Steel Prop



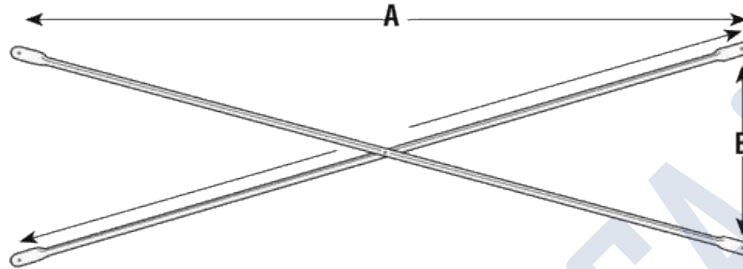
SSUPART #	DESCRIPTION	Weight (Lbs)
#3014	5' to 12' Post Shore	22.0
#3015	6' to 12' Post Shore	30.9
#3016	6' to 13' Post Shore	34.2
#3017	8' to 16' Post Shore	39.7
#3018	9' to 16' Post Shore	44.5



G Pin
FSL PART
#3019

Cross Braces - Angle Iron

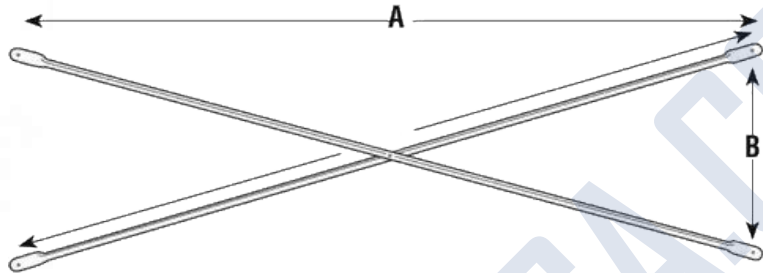
A = Frame Spacing
B = Lock Spacing



SSU PART #	DESCRIPTION	A (FRAME SPACING)	B (LOCK SPACING)	WT. LB
#1114	5' x 1' Angle Iron Cross Brace	5'	1'	9.5
#1115	7' x 1' Angle Iron Cross Brace	7'	1'	12.5
#1116	8' x 1' Angle Iron Cross Brace	8'	1'	14.5
#1117	10' x 1' Angle Iron Cross Brace	10'	1'	17.5
#1118	4' x 2' Angle Iron Cross Brace	4'	2'	9.5
#1119	5' x 2' Angle Iron Cross Brace	5'	2'	11.0
#1120	6' x 2' Angle Iron Cross Brace	6'	2'	12.75
#1121	7' x 2' Angle Iron Cross Brace	7'	2'	14.25
#1122	8' x 2' Angle Iron Cross Brace	8'	2'	15.75
#1123	10' x 2' Angle Iron Cross Brace	10'	2'	19.0
#1124	10' x 4' Angle Iron Cross Brace	10'	4'	22.0
#1125	4' x 3/4' Angle Iron Cross Brace	4'	3' or 4'	11.0
#1126	5' x 3/4' Angle Iron Cross Brace	5'	3' or 4'	13.0
#1127	6' x 3/4' Angle Iron Cross Brace	6'	3' or 4'	15.0
#1128	7' x 3/4' Angle Iron Cross Brace	7'	3' or 4'	17.0
#1129	8' x 3/4' Angle Iron Cross Brace	8'	3' or 4'	18.5
#1130	10' x 3/4' Angle Iron Cross Brace	10'	3' or 4'	22.0

Cross Braces - Tubular

A = Frame Spacing
B = Lock Spacing



SSU PART #	DESCRIPTION	A (FRAME SPACING)	B (LOCK SPACING)	WT. LB
#1096	4' x 4' Tube Cross Brace	4'	4'	9.5
#1097	5' x 4' Tube Cross Brace	5'	4'	10.0
#1098	6' x 4' Tube Cross Brace	6'	4'	11.0
#1099	7' x 1' Tube Cross Brace	7'	1'	11.0
#1100	7' x 2' Tube Cross Brace	7'	2'	11.25
#1101	7' x 3' Tube Cross Brace	7'	3'	11.3
#1102	7' x 3' Tube Cross Brace	7'	4'	11.5
#1103	7' x 3'/4' Tube Cross Brace	7'	3' or 4'	11.5
#1104	7' x 27.75" Tube Cross Brace	7'	27.25"	11.3
#1105	8' x 1' Tube Cross Brace	8'	1'	12.0
#1106	8' x 2' Tube Cross Brace	8'	2'	12.5
#1107	8' x 3' Tube Cross Brace	8'	3'	13.0
#1108	8' x 4' Tube Cross Brace	8'	4'	13.5
#1109	10' x 1' Tube Cross Brace	10'	1'	14.5
#1110	10' x 2' Tube Cross Brace	10'	2'	14.75
#1111	10' x 3' Tube Cross Brace	10'	3'	15.25
#1112	10' x 4' Tube Cross Brace	10'	4'	15.75
#1113	10' x 27.75" Tube Cross Brace	10'	27.75"	15.25

SKYRISE SUPPLIES USA

Coupling Pins



www.SKYRISESUPPLIESUSA.com



www.SKYRISESUPPLIESUSA.com



www.SKYRISESUPPLIESUSA.com

9" Coupling Pin with 1" Collar (#7)	9" Coupling Pin with 1" Collar (#6)	9" Coupling Pin with 1" Collar (#5)
Fits S-Style & V-Style Frames	*Fits W-Style & #6 B/J-Style Frames*	*Fits #5 B/J-Style Frames*
OD: 1-7/16"	OD: 1-3/8"	OD: 1-1/4"
SSU PART #1069	SSU PART #1070	SSU PART #1071
Weight: 1.2 lbs	Weight: 1.2 lbs	Weight: 1.0 lb



www.SKYRISESUPPLIESUSA.com



www.SKYRISESUPPLIESUSA.com



www.SKYRISESUPPLIESUSA.com

7" Coupling Pin with 1/8" Collar (#6)	7" Coupling Pin with no Collar (#6)	Shoring Connector Pin
Fits W-Style & #6 B/J-Style Frames	*Fits W-Style & #6 B/J-Style Frames*	Weight: 0.95 lbs
OD: 1-3/8"	OD: 1-3/8"	
SSU PART #1072	SSU PART #1073	SSUPART #1074
Weight: 1.0 lb	Weight: 0.8 lbs	



www.SKYRISESUPPLIESUSA.com



www.SKYRISESUPPLIESUSA.com

Conversion Pin Shoring Leg (2.375") to Scaffold Leg (1.69") SSUPART #1075 Weight: 2.5 lbs	Conversion Pin Heavy Duty Frame (1.50") to Frame (1.69") SSUPART #1076 Weight: 1.75 lbs
--	--

SKYRISE SUPPLIES USA

Pins & Clips



Spring Retainer Clip
SSU PART #1077
Weight: 0.03 lbs



Toggle Pin
SSU PART #1078
Weight: 0.15 lbs



Pig Tail Pin
SSU PART #1079
Weight: 1.00 lbs



Span Pin
SSU PART #1080
Weight: 0.20 lbs



Rivet & Cotter Pin
For Frame Scaffold
SSU PART #1081
Weight: 0.20 lbs



Latch type Lock Pin
SSU PART #1082
Weight: 0.10 lbs

Lock Types



Drop Lock
(Replacement)
SSU PART #1083
Weight: 0.15 lbs



Flip Lock (Replacement)
SSU PART #1084
Weight: 0.15 lbs



Fast Lock (Replacement)
SSU PART #1085
Weight: 0.65 lbs



Flip Lock
SSU PART #1086

SKYRISE SUPPLIES USA

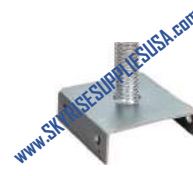
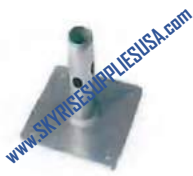
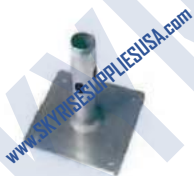
Screw Jacks & Base Plates



24" SCREW JACK W/ BASE PLATE	24" SCREW JACK W/ BASE PLATE	SOCKET JACK	U HEAD JACK W/ BASE PLATE
*Fits 1.625" & 1.69" Frames	Fits 1.5 Frames	*Fits 1.625" & 1.69" Frames	*Fits 1.625" & 1.69" Frames
SSU PART #1087	SSU PART #1088	SSU PART #1089	SSU PART #1154
OD: 1-3/8"	OD: 1-1/4"	OD: 1-3/8"	
Weight: 11.5lbs	Weight: 11.5lbs	Weight: 11.5lbs	Weight: 11.5lbs



SWIVEL SCREW JACK	SWIVEL SCREW JACK	24" EXTENSION LEG BASE PLATE
*Fits 1.625" & 1.69" Frames	Fits 1.5 Frames	*Fits 1.625" & 1.69" Frames
SSU PART #1090	SSU PART #1091	SSU PART #1092
OD: 1-3/8"	OD: 1-1/4"	OD: 1-3/8"
Weight: 14.0lbs	Weight: 13.5lbs	Weight: 4.75lbs



5" X 5" BASE PLATE	5" X 5" BASE PLATE	SWIVEL BASE PLATE	SWIVEL BASE PLATE
*Fits 1.625" & 1.69" Frames	Fits 1.5 Frames	*Fits 1.625" & 1.69" Frames	*Fits 1.625" & 1.69" Frames
SSU PART #1093	SSU PART #1094	SSU PART #1095	SSU PART #1055
OD: 1-3/8"	OD: 1-1/4"	OD: 1-3/8"	OD: 1-3/8"
Weight: 3.0lbs	Weight: 3.0lbs	Weight: 3.5lbs	Weight: 3.5lbs

Putlog/Trusses & Debris Chutes



www.SKYRISESUPPLIESUSA.com

8' PUTLOG
SSU PART #2056
Weight: 27.0lbs.



www.SKYRISESUPPLIESUSA.com

12' PUTLOG
SSU PART #2057
Weight: 39.0lbs.



www.SKYRISESUPPLIESUSA.com

16' PUTLOG TRUSS
SSU PART #2058
Weight: 61.0lbs.



www.SKYRISESUPPLIESUSA.com

22' PUTLOG TRUSS
SSU PART #2059
Weight: 84.0lbs.



www.SKYRISESUPPLIESUSA.com

PARALLEL PUTLOG HANGER
SSU PART #2060
Weight: 5.0lbs.



www.SKYRISESUPPLIESUSA.com

RIGHT ANGLE PUTLOG HANGER
SSU PART #2061
Weight 6.25lbs.



www.SKYRISESUPPLIESUSA.com

SADDLE PIN (1.69\"
SSU PART #2062
Weight: 2.0lbs.



www.SKYRISESUPPLIESUSA.com

5'W PUTLOG SPREADER
SSU PART #2063
Weight: 25.75lbs.



www.SKYRISESUPPLIESUSA.com

OFFSET PIN (1.69\"
SSU PART #2064
Weight: 6.0lbs.



3' ACCESS LADDER
SSU PART #2043
Weight: 12.0lbs.



6' ACCESS LADDER
SSU PART #2044
Weight: 19.0lbs.



3' SAU LADDER
*Galvanized
SSU PART #2047
Weight: 9.5bs.



LADDER BRACKET - BOLT ON
SSU PART #2045
Weight: 5.5lbs.



LADDER BRACKET - SLIDE ON
SSU PART #2046
Weight: 6.5lbs.



6' SAU LADDER
*Galvanized
SSU PART #2048
Weight: 18.0bs.



Pulley
SSU PART #2091



Host Post
SSU PART #2092



SAU LADDER BRACKET
*Galvanized
SSU PART #2049
Weight: 5.5bs.

Side Brackets & End Brackets



12" SIDE BRACKET (1-BOARD)
SSU PART #2091
Weight: 5.5lbs.



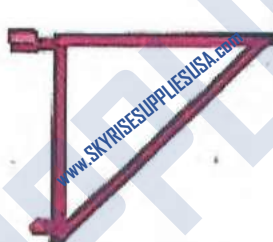
21" SIDE BRACKET (2-BOARD)
SSU PART #2092
Weight: 7.0lbs.



30" SIDE BRACKET (3-BOARD)
SSU PART #2093
Weight: 11.0lbs.



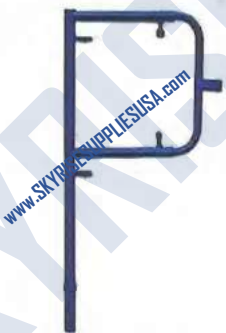
21" SADDLE HANGER SIDE BRACKET (2-BOARD)
SSU PART #2094
Weight: 11.0lbs.



23" ANGLE IRON SIDE BRACKET (2-BOARD)
SSU PART #2095
Weight: 12.5lbs.



20" END BRACKET (2-BOARD)
SSU PART #2096
Weight 12.0lbs.



EXPANDABLE P-PANEL
*Fits 2-Board & 3-Board Side Brackets
SSU PART #2097
Weight: 12.0lbs.



SIDE BRACKET HOT DIP GALVANIZED
20" TO 32" EXTENDABLE
SSU PART #2098

Internal Stair units



7' INTERNAL STAIR UNIT W/HANDRAILS
*Fits 6' 4"T Frames (w/7' Cross Braces)
SSUPART #2050
Weight: 110.0bs.
(Inside H/R: 070071 - Outside H/R: 070072)



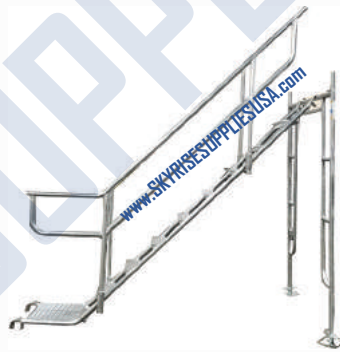
8' INTERNAL STAIR UNIT W/HANDRAILS
*Fits 6' 4"T Frames (w/8' Cross Braces)
SSUPART #2051
weight: 130.0bs.
(Inside H/R: 070081 - Outside H/R: 070082)



7' INTERNAL STAIR UNIT W/HANDRAILS
*Fits 5'TFrames (w/7' Cross Braces)
SSUPART #2052
weight: 100.0bs.
(Inside H/R: 070106 - Outside H/R: 070107)



7' INTERNAL STAIR UNIT W/HANDRAILS
*Fits 6' 7"T Frames (w/7' Cross Braces)
SSUPART #2053
Weight: 112.0bs.
(Inside H/R: 070088 - Outside H/R: 070089)



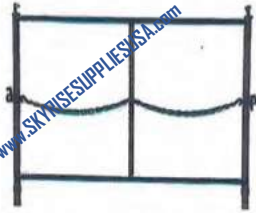
HOT DIP GALVANIZED STAIR
SSU PART #2054



SYSTEM STAIR UNIT 7Ft to 8Ft
SSUPART #2055



BLUE 8' STAIRS with Handrails
SSU PART #2057



5'W MASON FRAME ACCESS PANEL
SSU PART #1131
Weight: 27.0lbs.



3' EXPANDABLE ACCESS GATE
SSU PART #1132
Weight: 23.0lbs.



3' EXPANDABLE ACCESS GATE
SSU PART #1133
Weight: 32.0lbs.



7'L GUARD RAIL PANEL
SSU PART #1134
Weight: 18.5lbs.



8'L GUARD RAIL PANEL
SSU PART #1135
Weight: 20.0lbs.



10'L GUARD RAIL PANEL
SSU PART #1136
Weight: 22.0lbs.



3'W END PANEL
SSU PART #1137
Weight: 8.0lbs.



42\" data-bbox="236 756 354 798"/>



5'W END PANEL
SSU PART #1139
Weight: 14.0lbs.



5'W F TYPE PANEL
SSU PART #1140

Multi Function Scaffold Aluminum



MULTI-FUNCTION UNIT - ALUMINUM
29"W x 6'L x 6'T
SSU PART #1147
Weight: 100.0bs.



ALUMINUM GUARD RAIL ASSEMBLY
SSU PART #1148
Weight: 30.0bs.



18" OUTRIGGER FOR ALUM MFU
***RIGID**
SSU PART #1149
Weight: 3.0lbs..



5" LOCKING CASTER - SQUARE STEM
SSU PART #1150
Weight: 5.0bs.



30" OUTRIGGER FOR ALUM MFU
***SWIVEL**
SSU PART #1151
Weight 11.0lbs.

SKYRISE SUPPLIES USA

Guard Rail Post & Tubular Guard Rails



1.69" FEMALE GUARD RAIL POST	1.69" MALE GUARD RAIL POST	1.69" FEMALE GUARD RAIL POST
*4- Fast Locks	*3- Flip Locks	*4- Drop Locks
SSU PART #: 1041	SSU PART #: 1042	SSU PART #: 1043
Weight: 7.5lbs	Weight: 7.0lbs	Weight: 15.0lbs



1.625" FEMALE GUARD RAIL POST	1.69" MALE GUARD RAIL POST
*4- Fast Locks	*3- Flip Locks
SSU PART #: 1044	SSU PART #: 1045
Weight: 7.5lbs	Weight: 7.0lbs

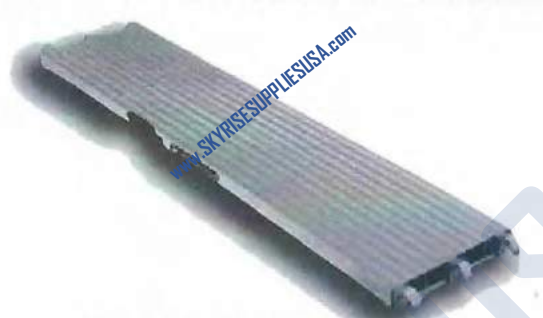


Guard Rail

SSU PART #	DECIPTION	LENGTH (HOLE TO HOLE)	WEIGHT (Lbs)
#1046	2' Guard Rail	2'	2.0
#1047	3' Guard Rail	3'	2.6
#1048	4' Guard Rail	4'	3.6
#1049	5' Guard Rail	5'	4.5
#1050	6' Guard Rail	6'	5.6
#1051	7' Guard Rail	7'	6.6
#1052	8' Guard Rail	8'	7.6
#1053	10' Guard Rail	10'	25.4

SKYRISE SUPPLIES USA

Steel Scaffold Decks



ALL ALUMINUM SCAFFOLD DECK

FSL PART #	DESCRIPTION	WEIGHT (Lbs)
SSU PART #1054	5'L X 19"W Aluminium Decks	25.0
SSU PART #1055	7'L X 19"W Aluminium Decks	31.0
SSU PART #1056	8'L X 19"W Aluminium Decks	35.0
SSU PART #1057	10'L X 19"W Aluminium Decks	40.0



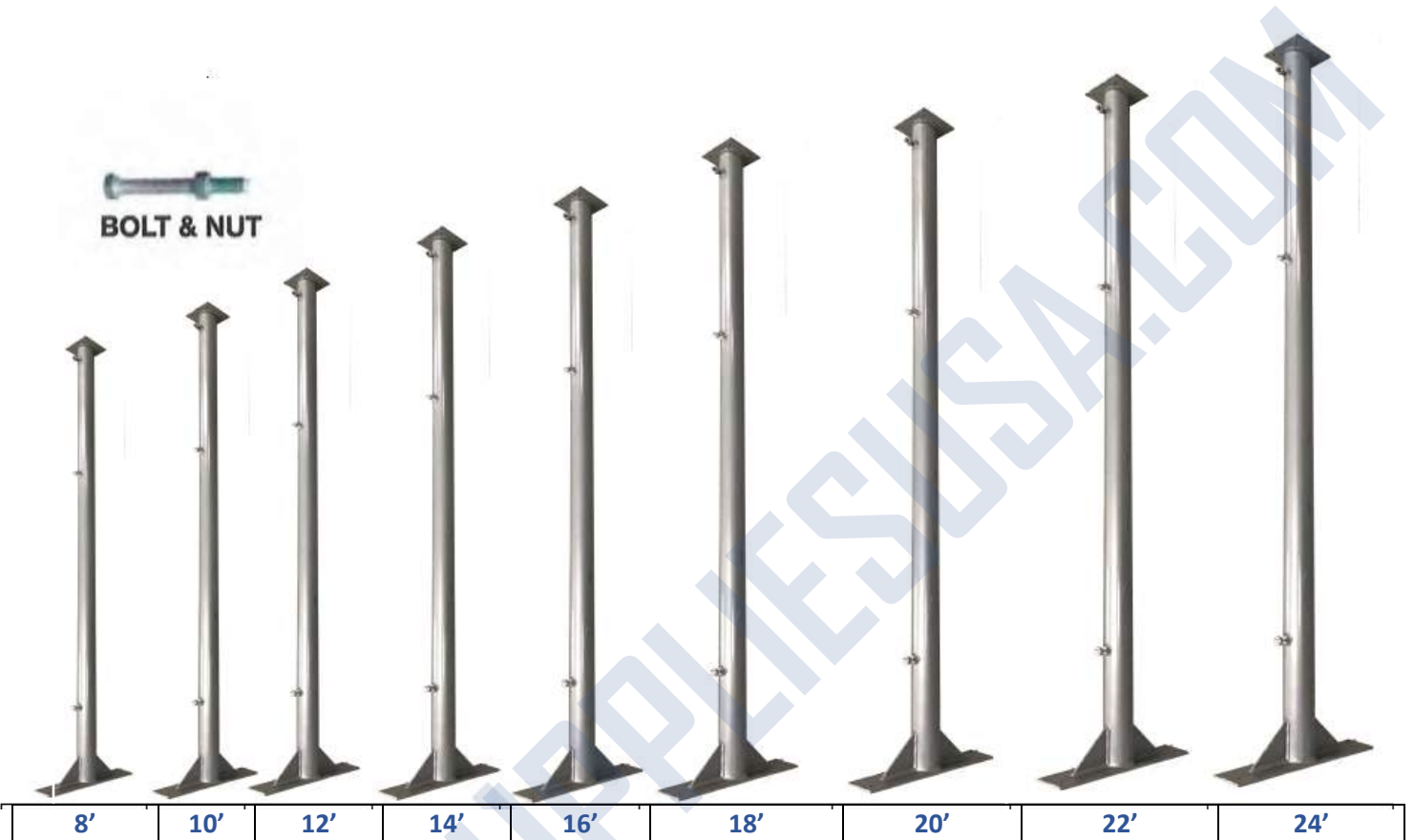
ALUMINUM/PLYWOOD SCAFFOLD DECK

SSU PART #	DESCRIPTION	WEIGHT (Lbs)
#1058	7'L X 19"W Aluminium Decks	35.0
#1059	8'L X 19"W Aluminium Decks	43.0
#1060	10'L X 19"W Aluminium Decks	51.0

BRIDGING CATEGORY

- Bridge legs
- Header beam clamps, Plastic nuts, Lock washers
- Cross braces
- Girths, Tube Links (locking end pipes with fittings)
- Corrugated Sheets Clamps,
- Parapet braces Fire retardant
- Nettings

Sidewalk Bridge



SSU PART #	DESCRIPTION	WEIGHT
#2000	8' Bridge Leg	80.0
#2001	10' Bridge Leg	90.0
#2002	12' Bridge Leg	110.0
#2003	14' Bridge Leg	125.0
#2004	16' Bridge Leg	140.0
#2005	18' Bridge Leg	160.0
#2006	20' Bridge Leg	180.0
#2007	22' Bridge Leg	200.0
#2008	24' Bridge Leg	220.0
#2009	Bridge Leg Bolt	0.50
#2010	Bridge Leg Nut	0.25

Sidewalk Bridge



DIAGONAL BRACE (10' 4")
SSU PART #2011
Weight: 13.0lbs.



PARAPET BRACE
SSU PART #2012
Weight: 3.5lbs.



PARAPET ANGLE
SSU PART #2013
Weight: 1.5lbs.



Junior beam Clamp
4 inches
SSU PART #2014



Header beam Clamp
6 inches
SSU PART #2015



Header beam Clamp
8 inches
SSU PART #2016



Header beam Clamp
10 inches
SSU PART #2017



5/8" Plastic Nuts
FSL PART #2018



Ball type Knob
SSU PART #2019



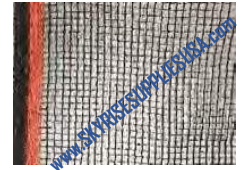
Lock Washers
SSU PART #2020



Tightening Spinner
SSU PART #2021



50lbs Zip ties for netting
FSL PART #2022



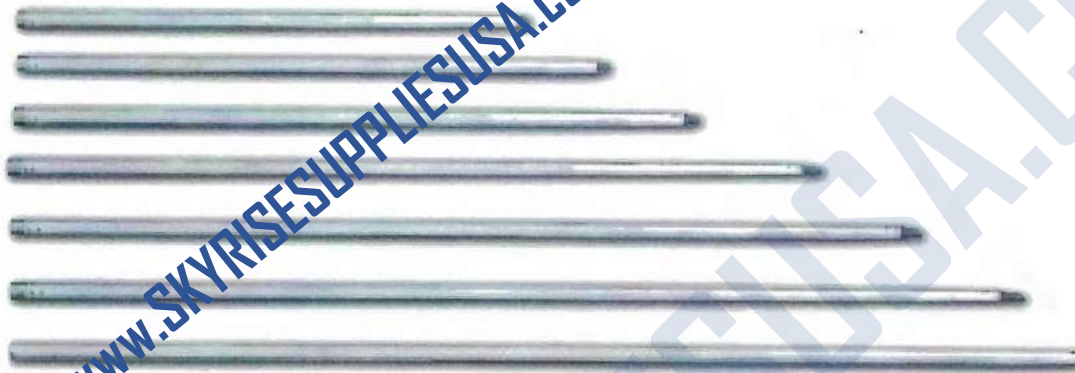
Fire Proof Nettings
SSU PART #2023



Horizontal Gurtz

SSU PART #	DESCRIPTION	WEIGHT (LBS)
#2024	1' Gurt	1.1
#2025	2' Gurt	2.2
#2026	3' Gurt	4.5
#2027	4' Gurt	6.75
#2028	5' Gurt	8.1
#2029	6' Gurt	9.8
#2030	7' Gurt	11.5
#2031	8' Gurt	13.0

Tube w/End fittings



TUBE W/END FITTINGS

SSUPART #	DESCRIPTION	WEIGHT (Lbs)
#1061	4' Tube w/End Fittings	12.0
#1062	6' Tube w/End Fittings	17.2
#1063	8' Tube w/End Fittings	21.0
#1064	10' Tube w/End Fittings	25.0
#1065	13' Tube w/End Fittings	32.5
#1066	16' Tube w/End Fittings	41.0
#1067	20' Tube w/Open Ends	48.0



Inside Pipe
Connector
SSU PART #1152



Outside Pipe
Connector Clamp
SSU PART #1153

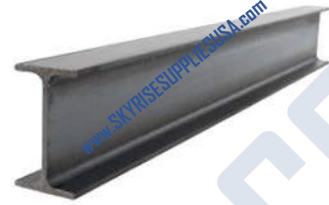
Bridging Accessories



Corrugate Galvanized Sheets

SSU PART #

Corrugate Sheets 8'x33" W 24 GAUGE	#2032
Corrugate Sheets 10'x33" W24 GAUGE	#2033
Corrugate Sheets 12'x33' W 24 GAUGE	#2034
Corrugate Sheets 8'x33" W 26 GAUGE	#2035
Corrugate Sheets 10'x33" W 26 GAUGE	#2036
Corrugate Sheets 12'x33" W 26 GAUGE	#2037



Junior Beams

7.7 lbs per Feet

Lengths	SSU PART#
10Ft	#2038
16Ft	#2039
20Ft	#2040



DD Double head Nails of all sizes
SSU PART #2041



DD Single Head Nails of all sizes
SSUPART #2042

Forged Steel Clamps

HALF STEEL CLAMPS FORGED



INCHES
MM

3.5"
89
SSU PART #2065

3"
73
SSU PART #2066

2.5"
63
SSU PART #2067

2"
48.3
SSU PART #2068

SWIVEL FORGED STEEL CLAMPS



INCHES
MM

3.5" x 2"
89 x 48.3
SSU PART #2069

3" x 3"
73 x 73
SSU PART #2070

3" x 2"
73 x 48.3
SSU PART #2071

2.5" x 2.5"
63 x 63
SSU PART #2072

2.5" x 2"
63 x 48.3
SSU PART #2073

2" x 2"
48.3 x 48.3
SSU PART #2074

FIXED FORGED STEEL CLAMPS



INCHES
MM

3.5" x 2"
89 x 48.3 FSL
SSU PART #2075

3" x 2"
73 x 48.3
SSU PART #2076

2.5" x 2"
63 x 48.3
SSU PART #2077

2" x 2"
48.3 x 48.3
SSU PART #2078

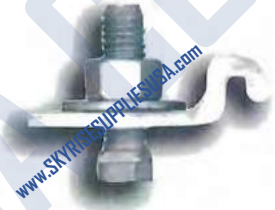
Clamps - Aluminum Beams/Stringers



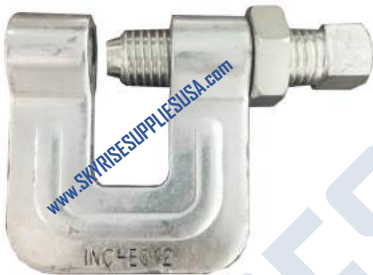
2" RIGID PIPE TO BEAM CLAMP (I-BOLT)
SSU PART #207
 Weight: 3.25bs.



2" SWIVEL PIPE TO BEAM CLAMP (I-BOLT) SSU PART #280
 Weight: 3.75lbs.



A-CLAMP ASSEMBLY #2
 *Aluminum
SSU PART #208
 Weight: .35bs.



C-CLAMP 3/4"
 *Steel
FSL PART #2082
 Weight: 0.40bs.



C-CLAMP 5/8"
 *Steel
SSU PART #208

Rolling Tower Accessories



8" HEAVY DUTY CASTER - 1-1/4" STEM
 * Fits 1.5"Ø Frame Legs (#5)
 Double Locking
 SSU PART #208
 Weight: 12.5lbs.



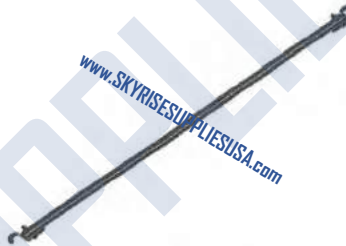
8" HEAVY DUTY CASTER - 1-3/8" STEM
 * Fits 1.625" & 1.69"Ø Frame Legs (#6 & #7)
 Double Locking
 SSU PART #208
 Weight: 12.5lbs.



8" HEAVY DUTY CASTER - 1-1/2" STEM
 * Fits 1.9"Ø Verticals (System)
 Double Locking
 SSU PART #208
 Weight: 12.5lbs.



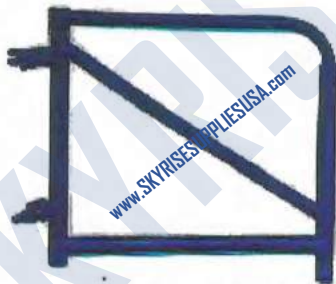
5' X 7' HORIZONTAL GOOSER
 SSU PART #208
 Weight: 13.0lbs.



5' X 8' HORIZONTAL GOOSER
 SSU PART #208
 Weight: 14.2lbs.



5' X 10' HORIZONTAL GOOSER
 SSU PART #208
 Weight: 15.5lbs.



30" OUTRIGGER FOR FRAME SCAFFOLD
 SSU PART #200
 Weight: 20.0lbs.

Ring Lock Accessories



A-TYPE STARTER BRACKET
SSU PART #4000



ROSSETTE CLAMP(DROP FORGED)
SSU PART #4001



SCREWJACK/BASE JACK
SSU PART #4002



SWIVEL JACK
SSU PART #4003



STARTER/BASE COLLAR
SSU PART #4004



BOLTED SPIGOT
FROM 1FT. to 9FT
SSU PART #4005



STANDARD WITH CRIMPED SPIGOT
FROM 1FT. TO 11FT.
SSU PART #4006



LEDGER O-TYPE
FROM 0 TO 10 FEET
SSUPART #4007



SIDE BRACKET FROM
1FT TO 10.5 FT FSL
SSU PART #4008

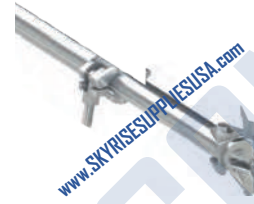
Ring Lock Accessories



**BAY BRACE FROM
2FT TO 10 FT FSL
SSU PART #4009**



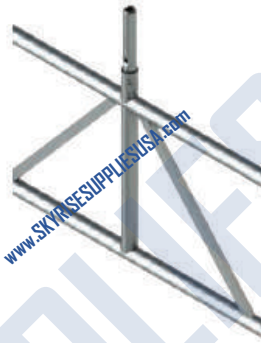
**SWIVEL CLAMP BRACE
FROM 5FT TO 10 FT
SSU PART #4010**



**TELESCOPIC PLAN BRACE
FROM 5FT TO 10FT
SSU PART #4011**



**LATTICE GIRDER W/ NO SPIGOT
FROM 14FT TO 28FT
SSU PART #4012**



**LATTICE GIRDER W/ SPIGOT
FROM 14FT TO 28FT
SSU PART #4013**



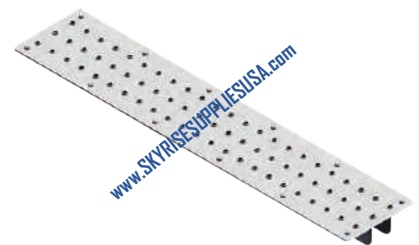
**LATTICE GIRDER
SPIGOT ADAPTER
SSU PART #4014**



**SPIGOT ADAPTER CLAMP
I-BOLT
SSU PART #4015**

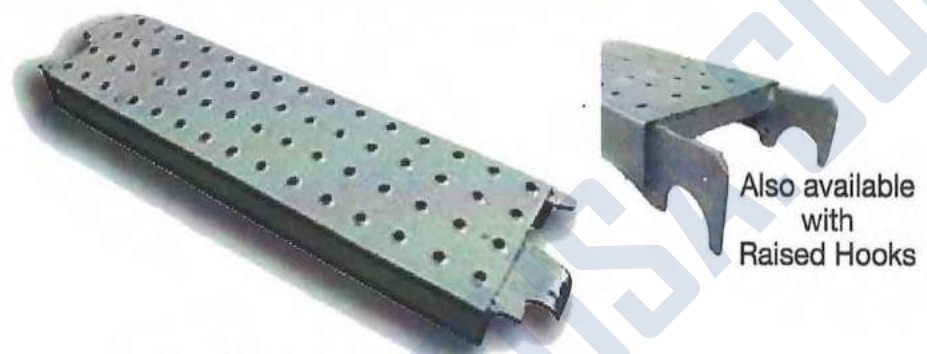


**STEEL DECK FROM
2FT TO 10FT
SSU PART #4016**



**INFILL DECK FROM
2FT TO 10FT
SSU PART #4017**

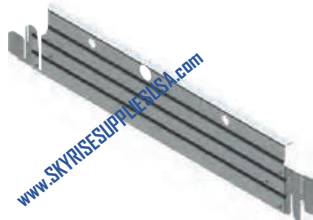
Steel Scaffold Decks



STEEL SCAFFOLD DECK - FLAT HOOK

SSU PART #	DESCRIPTION	WEIGHT
#4018	2' 0" x 9" W Steel Deck	9.0 lbs
#4019	2' 2" L x 9" W Steel Deck	10.0 lbs
#4020	3' 0" L x 9" W Steel Deck	12.0 lbs
#4021	3' 6" L x 9" W Steel Deck	15.0 lbs
#4022	3' 10" L x 9" W Steel Deck	18.75 lbs
#4023	4' 0" L x 9" W Steel Deck	19.25 lbs
#4024	5' 0" L x 9" W Steel Deck	23.5 lbs
#4025	5' 2" L x 9" W Steel Deck	14.5 lbs
#4026	6' 0" L x 9" W Steel Deck	27.75 lbs
#4027	7' 0" L x 9" W Steel Deck	32.0 lbs
#4028	8' 0" L x 9" W Steel Deck	35.25 lbs
#4029	9' 0" L x 9" W Steel Deck	38.75 lbs
#4030	10' 0" L x 9" W Steel Deck	44.5 lbs

Ring Lock Accessories



**INTERLOCKING TOEBOARD
FROM 2FT TO 10FT
SSUPART #4031**



**STAIR STRINGERS
LEFT AND RIGHT
7' AND 8'
SSU PART #4032**



**STAIR TREAD FROM 30" TO 42"
SSU PART #4033**



**SYSTEM STORAGE RACK
SSU PART #1143
Weight: 125.0lbs.**



**COLLAPSIBLE STORAGE BASKET
SSU PART #1144
Weight: 75.0lbs.**

HOIST CATEGORY

- Hoist Tie Holders, Cable
- Guides Double Ties
- Tie Extensions, U Bolts Hoist holding plates, Hoist Ties, Dual
- Holding plates
- 4 Pole System (Custom Dimensions Available)
- Hoist Gates of all sizes, Single and Double Fold
- Hoist Rollers , Racks, Pinions

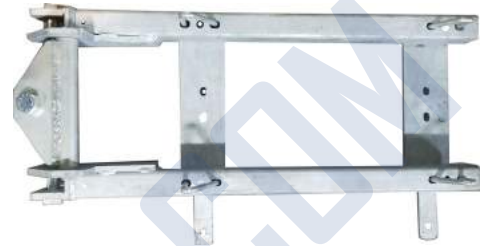
Hoist Accessories



www.SKYRISESUPPLIESUSA.com



www.SKYRISESUPPLIESUSA.com



Tie holder	Cable guide	Tie adjuster
SSU PART #5000	SSU PART #5001	SSUPART #5002



www.SKYRISESUPPLIESUSA.com

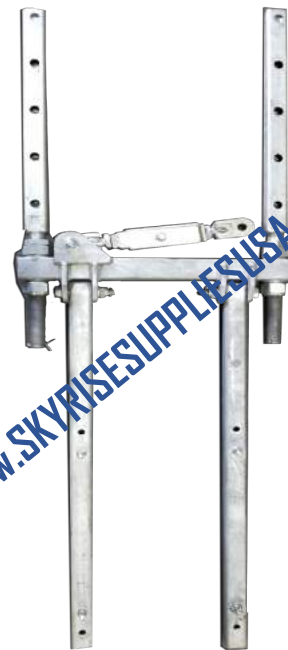
U BOLTS
SSU PART #5046



Eye bolt 1" Stell Forged
SSUPART #5004



Double Tie
SSU PART #5003



www.SKYRISESUPPLIESUSA.com

Tie Extensions
SSU PART #5047

Hoist Accesories



Tie Holding Plate
1" 4 holes
SSU PART #5005



Tie Holding Diamond Plate
1" Bolt 2 Holes
SSU PART #5006



Tie Holder
1" Bolt
SSU PART #5007



Tie Holding Center Plate
1" Bolt
SSU PART #5008



Dual Tie Holding Plate
1" Bolt
SSU PART #5009

Hoist Ties



SSU PART #5010

9ft – 13Ft



SSU PART #5011

5Ft – 9Ft



SSU PART #5012

2Ft – 5Ft



SSU PART #5013

9ft – 15Ft



SSU PART #5014

5Ft – 9Ft



SSU PART #5015

2.6Ft – 4Ft

Hoist Accesories



Hoist Landing Gates Double Panel

Part No.	Item Description
#5021	5ft W x 7ft H , Double Fold Gates
#5022	5ft W x 7ft H, Double Fold Gates
#5023	5ft W x 7ft H, Double Fold Gates
#5024	5ft W x 8ft H Double Fold Gates
#5025	5ft W x 9ft H Double Fold Gates
#5026	5ft W x 10ft H Double Fold Gates



Hoist Landing Gates Single Panel

Part No.	Item Description
#5052	5ft W x 7ft H , Single Fold Gates
#5053	5ft W x 7ft H, Single Fold Gates
#5054	5ft W x 7ft H, Single Fold Gates
#5055	5ft W x 8ft H Single Fold Gates
#5056	5ft W x 9ft H Single Fold Gates
#5057	5ft W x 10ft H Single Fold Gates



Hot dip galvan's hoist
Landing gate with solenoid lock
SSU PART #5020

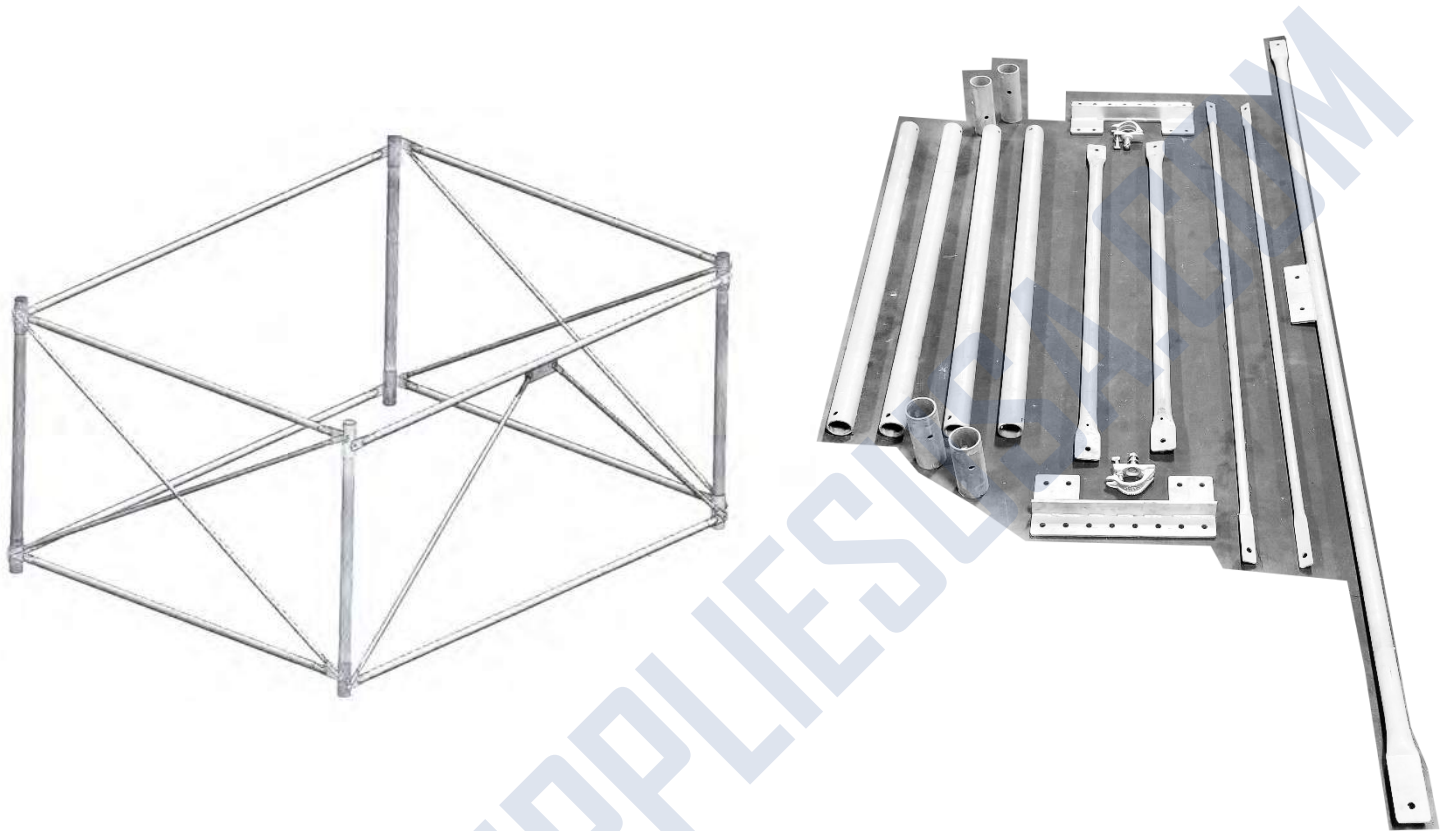


Hoist Anchor
SSU PART #5058



Handle Weight 50Lb0s
SSU PART #5059

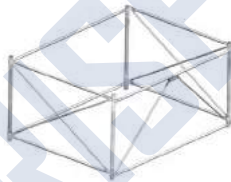
4 Pole System



Hoist Form Pole Assembly parts for
Dual & Single Car

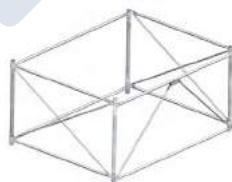
Available Box Sizes

For Dual car



1) 14FT X 14FT

SSU PART #5027



2) 6FT4" X 14FT

SSU PART #5028



3) 10FT10" X 14FT

SSU PART #5028



4) 8FT X 14FT

SSU PART #5029

For Single car



1) 8FT X 10FT10"

SSU PART #5030



2) 6FT4" X 10FT10"

SSU PART #5031



Sister Bays 6FT6" X 6FT X 6"

SSU PART #5032

4 Pole System Parts



K Brace
SSU PART#5033



Cross Brace
SSU PART #5034



Gurtz
SSU PART #5035



Heavy Duty Poll
SSUPART #5036



Sleeve
SSUPART #5037



Beam holding Plates
SSUPART #5038



Heavy Duty Stud Clamps W/ 3/4 Bolt
SSU PART #5039

Hoist Accesories



Guide Alimak Nylon Rollers
SSU PART #5016



Steel Guide Rollers
SSU PART #5017



Nylon Guide Rollers
SSU PART #5018



Steel Wire Rope Pulleys
SSU PART #5019



ALIMACK HOIST 5 INCH ROLLER
SSU PART #5045



PEGA 3.5 INCH ROLLER
SSU PART #5041



PEGA 4.5 INCH ROLLER
SSU PART #5042



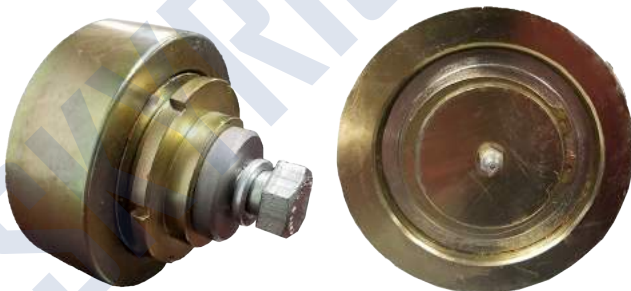
Big roller
SSU PART #5040



PEGA 5 INCH ROLLER
SSU PART #5043



STROSS 6 INCH ROLLER
SSU PART #5044



STROSS 5 INCH ROLLER
SSU PART #5051



Steel Rack
SSU PART #5048

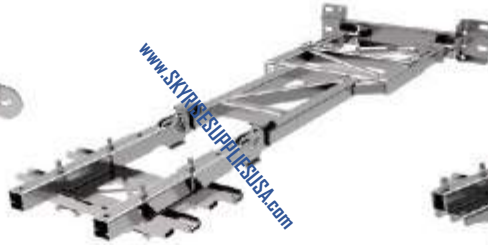


Pinion
SSU PART #5049

Hoist Ties



MT-A
SSU PART #5050



MT-B
SSU PART #5051



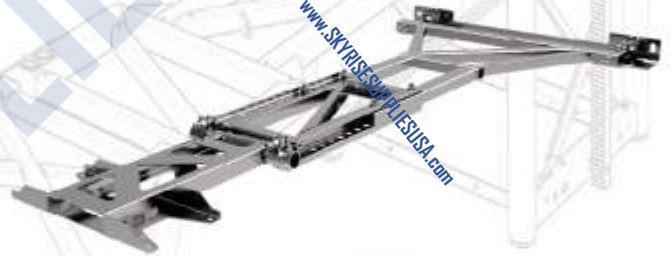
MT-C
SSU PART #5052



MT-D
SSU PART #5053



MT-E
SSU PART #5054



MT-F
SSU PART #5055



MT-G
SSU PART #5056



MT-H
SSU PART #5057



MT-I
SSU PART #5058

Material Hoist Mast Sections



SSU PART #5059
175x175x1508



SSU PART #5060
350x350x1508



SSU PART #5061
350x350x1508



SSU PART #5062
350x1508



SSU PART #5063
450x450x1508



SSU PART #5064
450x1508



SSU PART #5065
450x200x1508



SSU PART #5066
500x500x1508



SSU PART #5067
500x300x1508



SSU PART #5068
550x550x1508



SSU PART #5069
550x1508



SSU PART #5070
650x650x1508



SSU PART #5071
650x250x1508



SSU PART #5072
650x1508



SSU PART #5073
650x900x1508

Hoist Accessories



AVRO CABLE ROLLER
WEIGHT: 6LB 2.4oz/2kg 790 grams
QUANTITY : 20 pcs
SSU PART #5074



AVRO STEEL ROLLER
WEIGHT: 2LB 7.2oz/1kg 110 grams
QUANTITY : 50 pcs
SSU PART #5075



COUNTER WEIGHT ROLLER(BIG)
WEIGHT: 2LB 2.8oz/985 grams
QUANTITY : 16 pcs
SSU PART #5076



COUNTER WEIGHT ROLLER(SMALL)
WEIGHT: 1LB 1.6oz/500 grams
QUANTITY : 64 pcs
SSU PART #5077



SSU PART #5078



FSL PART #5079

SWING STAGING CATEGORY

- Electric stirrups, Parapet
- Clamps Counter Weights 50LB
- Delta System Assembly
- Suspension shackles
- Fist Grips, Shackles, Hooks,
Weights

Swing Staging



Shackle 5/8
SSU PART #6013



Shackle 3/4
SSU PART #6014



Fist Grips 1/2
SSU PART #6016



Fist Grips 1/2
SSU PART #6017



Fist Grips 1/2
SSU PART #6018



Hanging pass by Stirrup
SSU PART #6010



Counter Weight 50lbs
SSU PART #6011



DELTA SYSTEM ASSEMBLY
SSU PART #6012



Cornice Roof Hooks

Sizes	SSU PART #
12"	#6003
20"	#6004
24"	#6005
28"	#6006
32"	#6007
36"	#6008
40"	#6009



Electric Stirrup
SSUPART #6001



Parapet Clamp 24"
SSUPART #6002



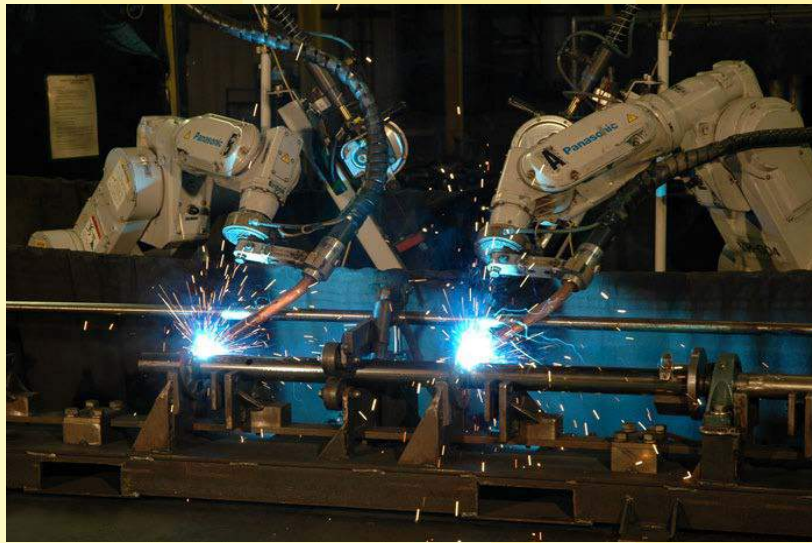
Parapet Clamp (1,500 lbs load capacity)
SSU PART #6015



SKYRISE SUPPLIES

USA

WORLD'S MOST ADVANCED FABRICATION SHOP





SKYRISE SUPPLIES

USA



www.skyrisesuppliesusa.com



info@skyrisesuppliesusa.com



908-751-1000 Direct 908-500-1926



2569 Brunswick Ave, Linden
NJ 07036 USA